

EMORE HORN Machinery inc.
The Blower Expert Original From Taiwan
臺灣風機專家



EMORE HORN
— 升鴻機電 —

升鴻機械設備有限公司

EMORE HORN Machinery inc.

地址:寧波市鄞州區姜山鎮茅山東林寺村

Donglinsi Village, Jiangshan Town, Yinzhou District, Ningbo, Zhejiang Prov., China

電話(TEI):86-574-88458258、88453511 傳真(FAX):86-574-88455980

www.emorehorn.com Micbb0828@hotmail.com

升鴻機械設備有限公司
EMORE HORN Machinery inc.



EMORE HORN
— 升鴻機電 —



公司簡介 Company Introduction

本公司於1969年於台灣省台北縣以全進五金註冊設廠，設廠初期以機械加工，壓鑄加工，以及電器電機工業為主要生產項目。1981年因市場口碑以及客戶支持，在供不應求的情況於台灣省台南縣設立分廠以增加產量及質量管控。1994年我司選擇在浙江省寧波市再成立五金工具工廠。在40餘載金屬及電器電機加工的成熟經驗，結合我司總經理陳鎮華先生在風機領域的專業技術，以及豐富的鼓風機工廠管理經驗下，於2006年成立鼓風機生產線。陳鎮華先生鼓風機及真空泵領域資歷豐富，為目前中國所有鼓風機工廠唯一具有國際大廠經驗的專業技術管理人員，曾擔任德國里奇樂公司鼓風機部門總工程師，以及台灣瑞昶風機廠長，長達二十年鼓風機及真空泵產品專業技術經驗，從設計，生產，售後服務，產品結構理論，皆為業界首屈一指，無可取代，鼓風機業界技術人員並封予“風機博士”美譽。升鴻風機從2006年來，秉持高標準生產，準時交貨，100%全檢出貨，以及完美的售後服務，目前為所有外資鼓風機品牌中，唯一在中國設廠，絕對百分之百資持股的鼓風機品牌，絕非以華而不實的廣告說辭，仿冒的產品外觀以及忽略品質的低價策略來混淆消費者對品牌選擇的判斷。升鴻風機乃絕對一脈相傳，唯一具有外資鼓風機品牌技術背景的鼓風機企業，因此每年以高百分比的業績成長，強勢且迅速搶占中國市場中高端的高壓鼓風機市場，成為中高端高壓鼓風機市場的龍頭企業。在客戶愛戴推崇，以及專業技術領先的標杆效應下，我司將於2013年推出真空泵產品，絕對與知名品牌產品里奇樂(Rietschle)，普旭(Busch)，品質上完全相同，且相較國際品牌有一定的價格優勢來服務廣大需求客戶，請拭目以俟。

高壓鼓風機為生產製造業廣泛需用之機械。粉粒料的排、吸法輸送，液體攪拌和裝瓶，燃燒和養殖的供養，散熱設備及環境之冷卻，無不需要它。由於高壓氣流的進口和氣流下端有負壓，因之亦可作為吸著應用。就業別而言，塑料，金屬，化工，礦業，農漁，醫療，裝填，包裝等等，均有極大地需求。通常鼓風機分為軸流式和離心式兩類。軸流式猶如在管中置一風扇，風量和壓力都不高；離心式又分為平流式和渦卷式，而渦卷式鼓風機可以生產較高之風壓。本公司專業於離心式側風道渦卷式高壓鼓風機的研發和生產。

本公司擁有技術高超的工程師及技術人員30餘人，廠房和辦公室近使用面積6000平方米。分為鼓風機研發生產部門，電動機研發生產部門，及真空泵研發生產部門。除數位車床，鑽床，拉床，平衡機，恆溫烘箱等先進機具一應俱全外，更具有極精密之3D量具、電動測試機、及風量壓力測試儀器。尤不同於業務生產等傳統部門者，本公司的品保部門為一獨立之一級單位，對於零部件，不論為自製或外購均詳加檢測，所有成品入倉前再作各項功能、安全和包裝檢測，以確保生產的每一貨品完美無瑕，給予使用者最大的可靠度。本公司產品均通過國家資檢局的3C檢驗，和SGS的認證，質量和安全有極大保障，每月產量各型合計5000台。

當今科技日新月異，不進則退，產品推陳出新，多如繁星，本公司同仁不敢倨傲，時時虛心候教，歡迎閣下光臨或賜點指導。

The Blower Expert Original From Taiwan 臺灣風機專家

Company Introduction



General Manager Of Emorehorn
Machinery Inc

The company was registered and established as Quanjin Hardware Factory in Taipei County Taiwan in 1969. At the early days when the factory was established, the company focused on the machining, die-casting processing, electric equipment and motors. Due to the good reputation in the market and the support of customers, the company set up the branch in Tainan County under the situation that the demand exceeded supply for increasing the output and quality control in 1981. In 1994, the company established a hand-tools Factory again in Ningbo, Zhejiang Province. With the ripe experiences in the processing of electric equipments and motors for more than 40 years, combined with the professional technology and abundant experiences of General Manager Tony Chen in the field of side channel, ring blowers, root blower and vacuum pump, the company established the production line of side channel, ring blowers and root blower in 2006. Mr Tony Chen, who is experienced in the fields of side channel, ring blowers, root blower and vacuum pump, is the sole executive with the professional technology and experiences from international factory among all blower machine factories in China at present.

He was the chief engineer in Blower Department of German Rietschle and had 20-year experiences in the professional technology of blower and vacuum pump in Rietschle Thomas Taiwan as the factory director. He is outstanding in the inside field whether the design, production, after-sale service or the structural theory of product, awarded as "Dr. Blower" by the inside technicians of blowing machine. Emore Horn Machinery has been adhered to the principle of high-standard production, on-time delivery, 100% all-inspection and perfect after-sale service since 2006. It is the sole foreign brand of blower that established the factory in China and owns 100% shares held by Taiwan, it hasn't the flashy slogans as other China local ones without substance, counterfeit appearance and quality-neglected low-price strategy to confuse the consumers. Emore Horn Machinery is a direct line of succession and sole blower enterprise with the technological background of foreign-capital brand. It's achievement is increasing by a high percentage year by year, grabs the market of middle-high-end high-pressure blowers in China rapidly and becomes the head enterprise of it. Under the icon effect of being favored by the customers and leading professional technology, the company will develop the vacuum pump product that absolutely has the same quality as the famous brands such as Rietschle, Busch....., and offer the more competitive price compared with the international brand for serving the vast majority of customers. Please be waiting to see.

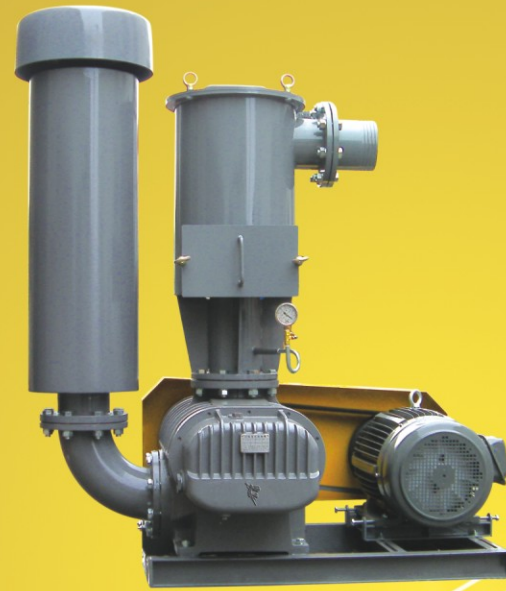
High-pressure blower is the machine that is widely demanded and used by the production and manufacturing industry, such as the blow-off of powders and granules, suction conveying, liquid mixing and bottling, burning and breeding, cooling of radiating facility and environment. Due to the negative pressure in and below the inlet of high-pressure airflow, it can also be used for suction application. As for the industry, there are many fields such as the plastic, metal, chemical, mining industry, agriculture and fishing, medicine, filling, packing, etc. greatly demand high-pressure blowers. Generally, air blowers are divided into two types: axial-flow type and centrifugal type. Axial-flow type is like placing a fan in the tube, so the air volume and pressure is not high; centrifugal type is divided into the parallel-flow type and vortex type, and vortex type blower can produce higher wind pressure. Our company specializes in researching, developing and manufacturing centrifugal side channel vortex type high pressure bowers.

Our company has more than 30 engineers and technicians who own excellent skills, also, the factory and offices cover approximately 6000 square meters space available. Our company owns the R&D and Production Department of Blower, R&D and Production Department of Electric Motor and R&D and Production Department of Vacuum Dump. Our company has precise 3D measuring tool, electric testing machine and tester of wind and pressure besides the digital lathe, drilling machine, broaching machine, balancing machine, constant temperature oven, etc. in all varieties. Different from traditional production departments, our quality assurance department is a unique unit that takes the inspection for all parts whether the self-manufacturing parts or the purchased parts. The functions, safety and packing of all finished products are inspected again before they are put in storage, ensuring all goods are perfect, thus giving the users the maximum reliability. Our products have obtained CCC and SGS issued by General Administration of Quality Supervision, Inspection and Quarantine of People's Republic of China, the quality and safety is ensured greatly, with an output of 5000 various-model machines every month.

Today, science and technology brings about new changes. Move forward, or you'll fall behind, the product brings forth the new through the old, all personnel of our company dare not be haughty and will await your instructions with the open mind. Welcome to our company and favour us with your instructions.



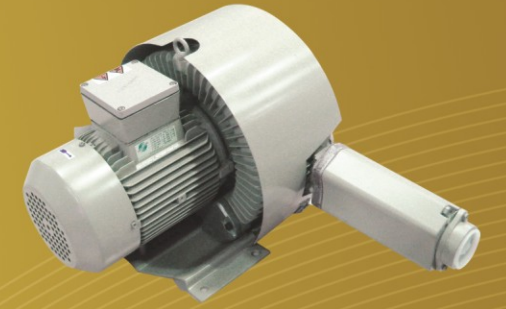
EHS529/ 529-9/529L
629/629L/639



真空配管



EHS-8310



EHS-4337



EHS429/429-9/429L



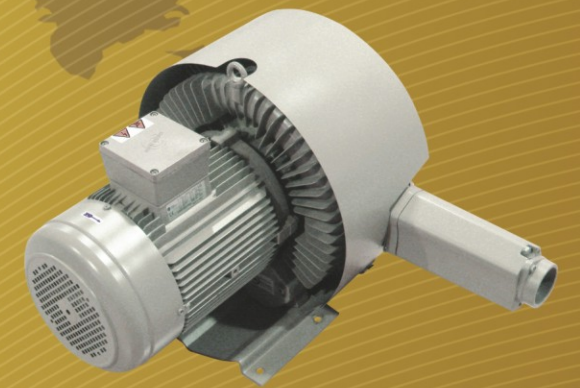
EHS919/929/939



EHS729/829



EHS-9325



EHS-6355



EHS329/329-9
329L/339



EHS229/229L



EHS129



真空泵



壓送配管



ETB-125-1005



About Future

我们的目标

用我们的产品去连接世界的每个角落

我们的理念

对客户: 我们提供高品质、低成本的产品, 我们的定单必须迅速而精确地完成;
对员工: 对我们一起工作的同仁, 有建议和申诉制度, 够格的必须有晋升的机会;
对社会: 必须对我们的社会负责, 必须做个好公民, 支持正义, 依法纳税。

Qualification 企業資質

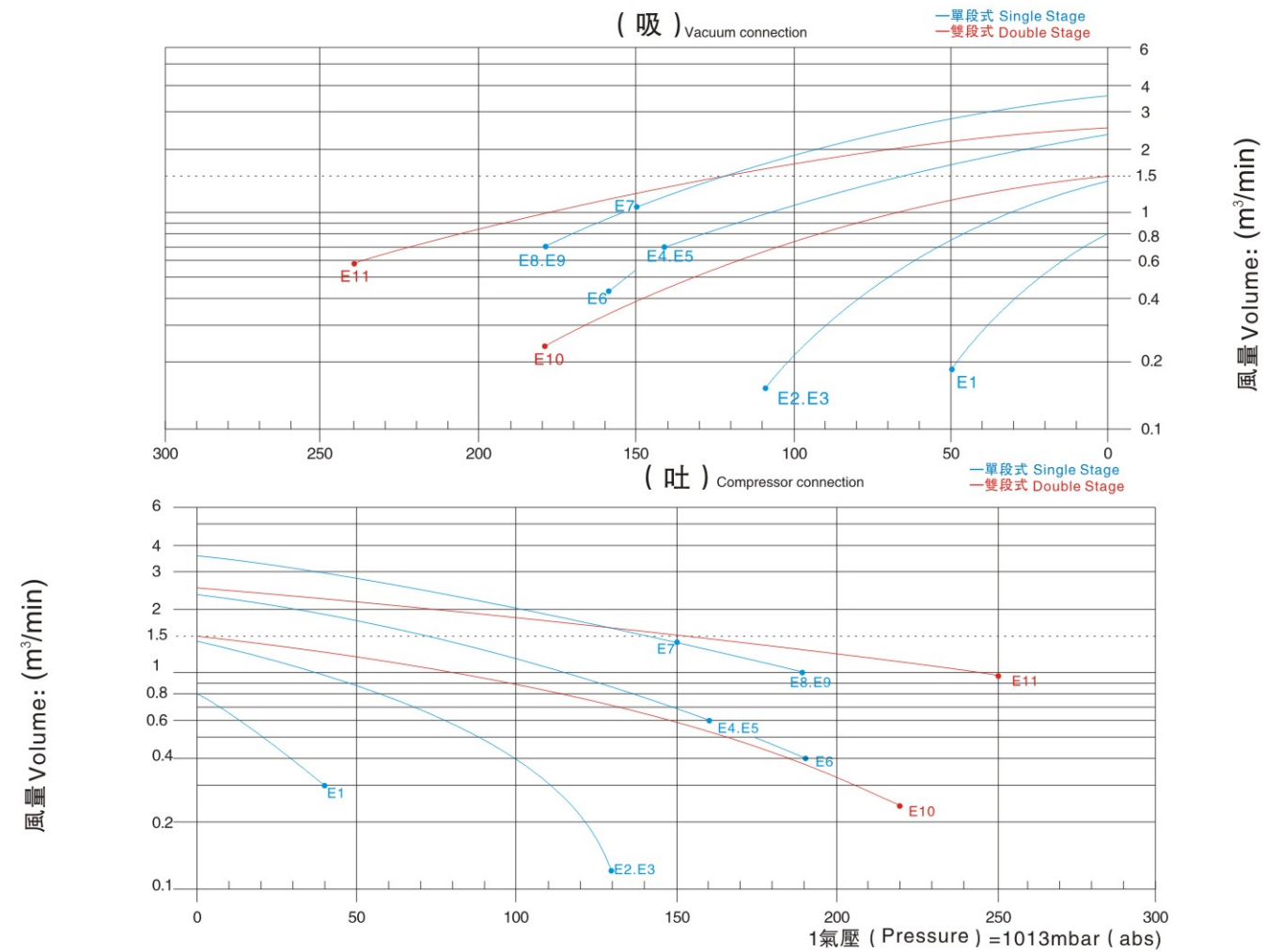


50HZ

單相馬達, 50HZ吸/吐性能表 Single-phase motor, 50Hz handling performance table

編號 Item	型號 Model 50HZ	額定輸出 Rated output (kw)	電壓 Voltage (V)	電流 Current (A)	電壓 Voltage (V)	電流 Current (A)	吸/吐 壓力差 Static pressure Vacuum/Compressor (mbar)	最大流量 Max volume (M ³ /min)	噪音比 Noise (Db)	重量 Weight (kg)	釋壓閥 (Relief Valve) 吸/吐 (Pressure) 型號(Type): PV-□*□	過濾器 Suction filter
E1	EHS-129	0.18	110-120	2.5	220-240	1.25	50/40	0.8	52	6.5	-	MF8
E2	EHS-229	0.4	110-120	5.5	220-240	2.6	110/130	1.4	58	11.5	01*1/01*1	MF10
E3	EHS-229L	0.4	110-120	5.5	220-240	2.6	110/130	1.4	58	12	01*1/01*1	MF10
E4	EHS-329	0.75	110-120	11	220-240	5.5	140/160	2.4	63	16	01*1/01*1	MF12
E5	EHS-329-L	0.75	110-120	11	220-240	5.5	140/160	2.4	63	16.5	01*1/01*1	MF12
E6	EHS-339	1.1	-	-	220-240	7.0	160/190	2.4	63	16.5	01*1/01*1	MF12
E7	EHS-429-2	1.1	-	-	220-240	8.5	150/150	3.6	70	26	01*1/01*1	MF16
E8	EHS-429	1.5	-	-	220-240	10	180/190	3.6	70	26	01*1/01*1	MF16
E9	EHS-429L	1.5	-	-	220-240	10	180/190	3.6	70	26.5	01*1/01*1	MF16
E10	EHS-2308	0.75	110-120	9.2	220-240	4.5	180/220	1.5	60	17.5	01*1/01*1	MF10
E11	EHS-3315	1.5	-	-	220-240	10	240/250	2.6	66	28.5	01*1/01*1	MF12

單相馬達, 50HZ吸/吐曲綫圖 Single-phase motor, 50Hz handling curve diagram

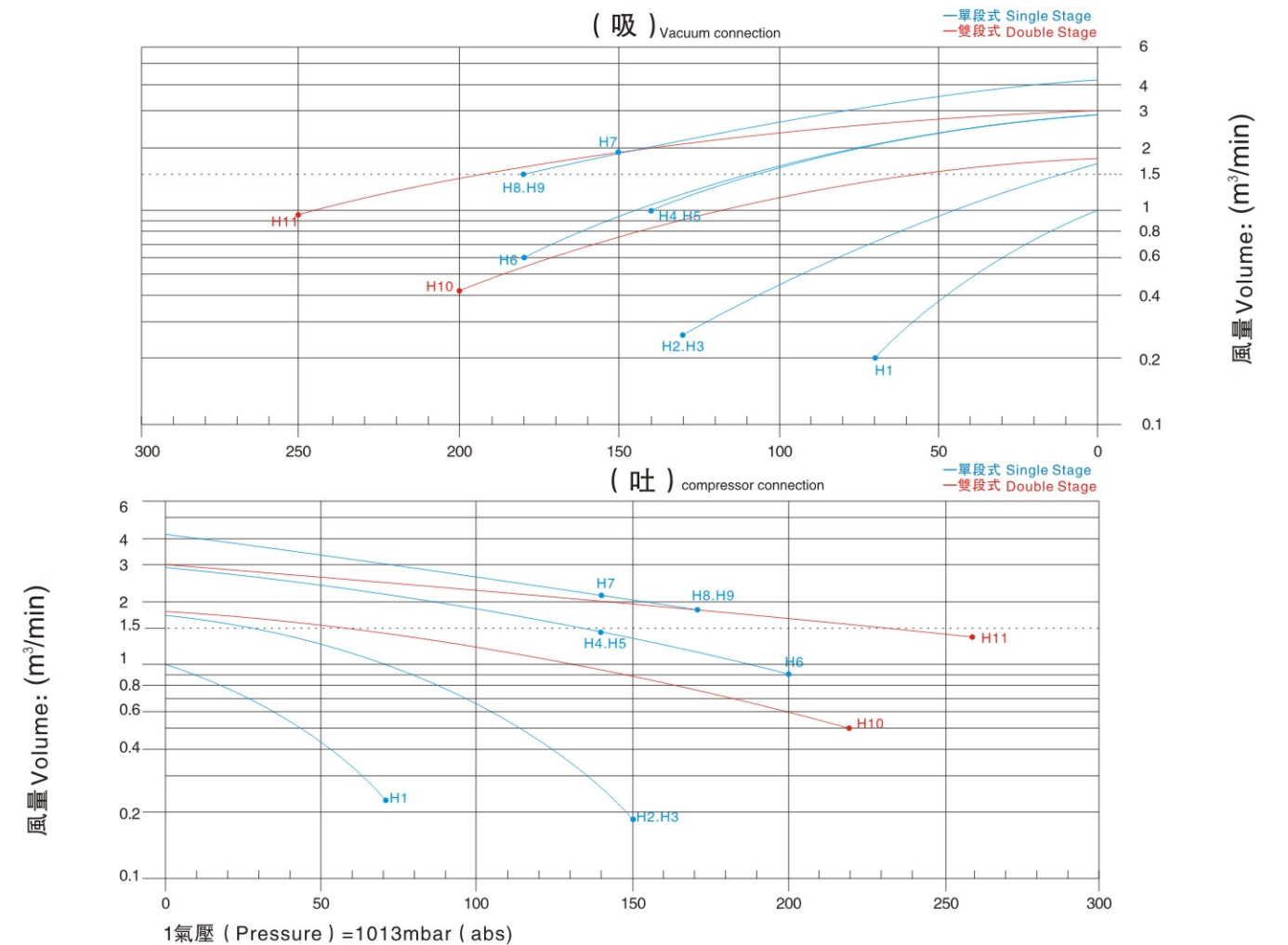


60HZ

單相馬達, 60HZ吸/吐性能表 Single-phase motor, 60Hz handling performance table

編號 Item	型號 Model 60HZ	額定輸出 Rated output (Kw)	電壓 Voltage (V)	電流 Current (A)	電壓 Voltage (V)	電流 Current (A)	吸/吐 壓力差 Static pressure Vacuum/Compressor (mbar)	最大流量 Max volume (M ³ /min)	噪音比 Noise (Db)	重量 Weight (kg)	釋壓閥 (Relief Valve) 吸/吐 (Pressure) 型號(Type): PV-□*□	過濾器 Suction filter
H1	EHS-129	0.2	110-120	2.55	220-240	1.28	70/70	1.0	55	6.5	-	MF8
H2	EHS-229	0.5	110-120	7.4	220-240	3.5	130/150	1.7	61	11.5	01*1/01*1	MF10
H3	EHS-229L	0.5	110-120	7.4	220-240	3.5	130/150	1.7	61	12	01*1/01*1	MF10
H4	EHS-329	0.85	110-120	12	220-240	6.0	140/140	2.9	64	16	01*1/01*1	MF12
H5	EHS-329-L	0.85	110-120	12	220-240	6.0	140/140	2.9	64	16.5	01*1/01*1	MF12
H6	EHS-339	1.3	-	-	220-240	7.4	180/200	2.9	64	16.5	01*1/01*1	MF12
H7	EHS-429-2	1.3	-	-	220-240	9.5	150/140	4.2	73	26	01*1/01*1	MF16
H8	EHS-429	1.75	-	-	220-240	10.8	180/170	4.2	73	26	01*1/01*1	MF16
H9	EHS-429L	1.75	-	-	220-240	10.8	180/170	4.2	73	26.5	01*1/01*1	MF16
H10	EHS-2308	0.85	110-120	11	220-240	5.4	200/220	1.8	66	17.5	01*1/01*1	MF10
H11	EHS-3315	1.75	-	-	220-240	10.8	250/260	3.0	69	28.5	01*1/01*1	MF12

單相馬達, 60HZ吸/吐曲綫圖 Single-phase motor, 60Hz handling curve diagram



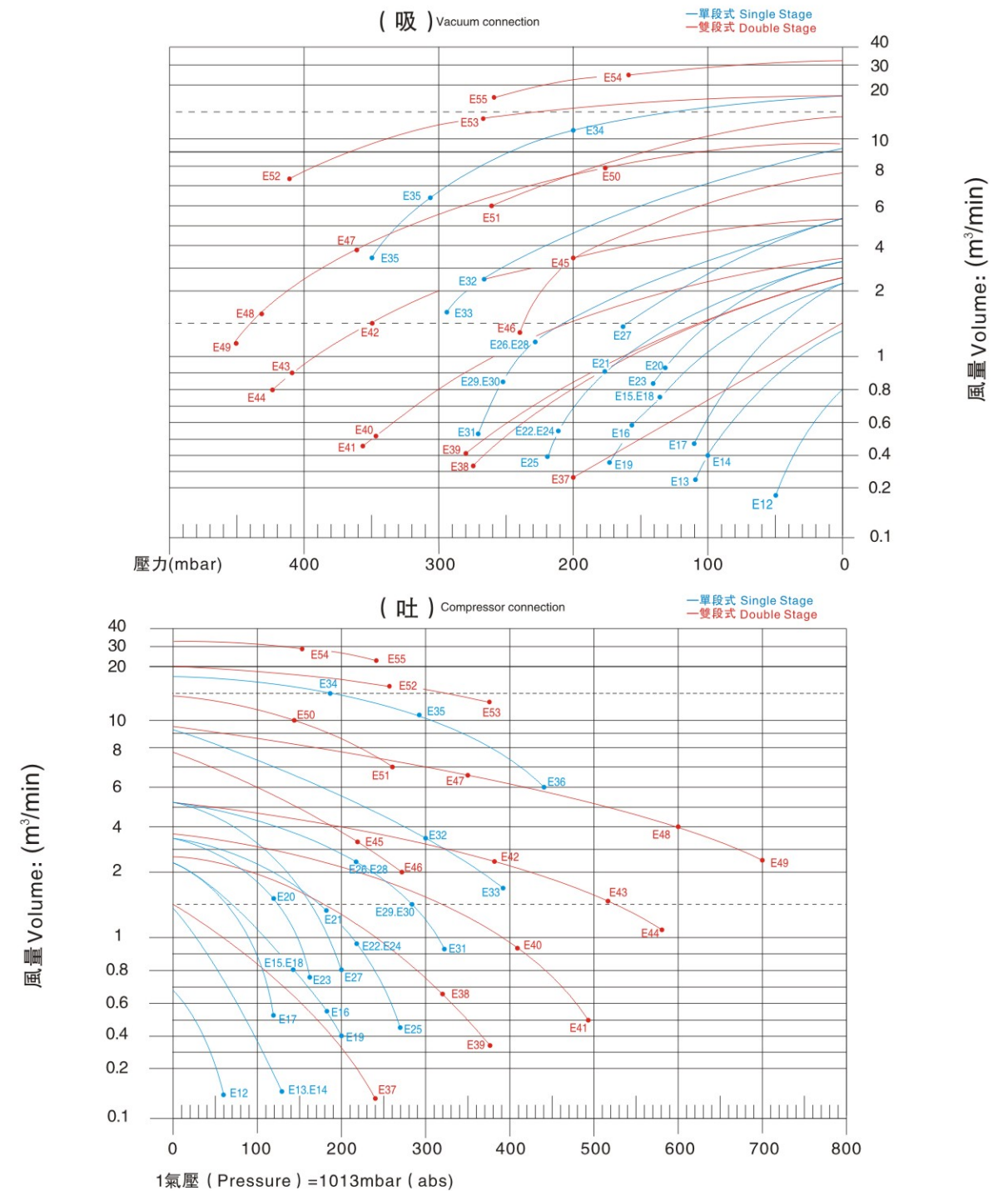
50HZ

三相馬達, 50HZ吸/吐性能表 Three-phase motor, 50Hz handling performance table

編號 Item	型號 Model 50HZ	額定輸出 Rated output (Kw)	電壓 Voltage (V)	電流 Current (A)	電壓 Voltage (V)	電流 Current (A)	吸/吐壓力差 Static pressure Vacuum/Compressor (mbar)	最大流量 Max volume (M ³ /min)	噪音比 Noise (Db)	重量 Weight (kg)	釋壓閥 (Relief Valve) 或止 (Pressure) 型號(Type): PV-□□□	過濾器 Suction filter
E12	EHS-129	0.18	220-240	1.2	346-415	0.69	50/60	0.8	52	6.5	-	MF8
E13	EHS-229	0.4	220-240	2.25	346-415	1.29	110/130	1.4	58	11	01*1/01*1	MF10
E14	EHS-229L	0.4	220-240	2.25	346-415	1.29	100/130	1.4	58	11.5	01*1/01*1	MF10
E15	EHS-329	0.75	220-240	3.7	346-415	2.14	140/140	2.4	63	14.5	01*1/01*1	MF12
E16	EHS-329-1	0.9	220-240	4.2	346-415	2.4	165/180	2.4	63	15.5	01*1/01*1	MF12
E17	EHS-329-9	0.75	220-240	3.7	346-415	2.14	110/120	2.4	63	14.5	01*1/01*1	MF12
E18	EHS-329L	0.75	220-240	3.7	346-415	2.14	140/140	2.4	63	15	01*1/01*1	MF12
E19	EHS-339	1.3	220-240	4.6	346-415	2.65	175/200	2.4	63	16	01*1/01*1	MF12
E20	EHS-429-1	0.9	220-240	4.2	346-415	2.4	130/120	3.6	70	20.5	01*1/01*1	MF16
E21	EHS-429-2	1.3	220-240	5.7	346-415	3.3	180/180	3.6	70	22	01*1/01*1	MF16
E22	EHS-429	1.75	220-240	6.7	346-415	3.9	210/220	3.6	70	23	01*1/01*1	MF16
E23	EHS-429-9	1.75	220-240	6.7	346-415	3.9	140/160	3.6	70	23	01*1/01*1	MF16
E24	EHS-429L	1.75	220-240	6.7	346-415	3.9	210/220	3.6	70	23.5	01*1/01*1	MF16
E25	EHS-439	2.2	220-240	7.8	346-415	4.5	220/270	3.6	70	26	01*1/01*1	MF16
E26	EHS-529	2.2	220-240	9.5	346-415	5.5	230/220	5.2	72	32	01*1/01*1	MF16
E27	EHS-529-9	2.2	220-240	9.5	346-415	5.5	160/200	5.2	72	32	01*1/01*1	MF16
E28	EHS-529L	2.2	220-240	9.5	346-415	5.5	230/220	5.2	72	32.5	01*1/01*1	MF16
E29	EHS-629	3.4	220-240	12	346-415	6.9	255/280	5.2	72	35	01*1/01*1	MF16
E30	EHS-629L	3.4	220-240	12	346-415	6.9	255/280	5.2	72	35.5	01*1/01*1	MF16
E31	EHS-639	4.0	220-240	13.9	346-415	8.0	270/325	5.2	72	38	01*1/02*1	MF16
E32	EHS-729	5.5	220-240	21	346-415	12	270/300	9.2	74	78	01*1/02*1	MF20
E33	EHS-829	7.5	220-240	27	346-415	15.6	295/395	9.2	74	82	02*1/02*1	MF20
E34	EHS-919	9	220-240	36	346-415	20.8	200/190	18.9	76	100	-	MF32
E35	EHS-929	13	220-240	46.8	346-415	27	305/295	18.9	76	112	-	MF32
E36	EHS-939	20	220-240	66.7	346-415	38.6	350/440	18.9	76	159	-	MF32
E37	EHS-2308	0.75	220-240	3.45	346-415	2.0	200/240	1.5	60	17	01*1/01*1	MF10
E38	EHS-3319	1.75	220-240	6.7	346-415	3.9	275/320	2.6	66	25	01*1/02*1	MF12
E39	EHS-3326	2.2	220-240	7.8	346-415	4.5	280/375	2.6	66	28	01*1/02*1	MF12
E40	EHS-4337	3.4	220-240	12	346-415	6.9	345/410	3.7	74	40	02*1/02*1	MF16
E41	EHS-4346	4.0	220-240	14.3	346-415	8.3	355/495	3.7	74	43	02*1/02*1	MF16
E42	EHS-6346	4.0	220-240	14.3	346-415	8.3	360/380	5.2	75	55	02*1/02*1	MF16
E43	EHS-6355	5.5	220-240	21	346-415	12	410/515	5.2	75	72	02*1/02*2	MF16
E44	EHS-6375	7.5	220-240	27	346-415	15.6	420/580	5.2	75	80.5	02*1/02*2	MF16
E45	EHS-6455	5.5	220-240	21	346-415	12	200/220	7.8	75	70	01*1/01*1	MF16
E46	EHS-6475	7.5	220-240	27	346-415	15.6	240/275	7.8	75	80.5	01*1/01*1	MF16
E47	EHS-8310	7.5	220-240	27	346-415	15.6	360/350	9.6	76	112	02*1/02*1	MF20
E48	EHS-8315	13	220-240	46.8	346-415	27	430/600	9.6	76	142	02*1/02*3	MF20
E49	EHS-8320	20	220-240	66.7	346-415	38.6	450/700	9.6	76	160	02*1/02*3	MF20
E50	EHS-8410	7.5	220-240	27	346-415	15.6	180/145	14.2	76	110	-	MF20
E51	EHS-8415	13	220-240	46.8	346-415	27	260/260	14.2	76	140	-	MF20
E52	EHS-9320	13	220-240	46.8	346-415	27	265/255	19	75	165	-	MF32
E53	EHS-9325	20	220-240	66.7	346-415	38.6	410/375	19	75	178	-	MF32
E54	EHS-9420	13	220-240	46.8	346-415	27	160/150	32	76	170	-	MF32
E55	EHS-9425	20	220-240	66.7	346-415	38.6	260/240	32	76	200	-	MF32

50HZ

三相馬達, 50HZ吸/吐曲綫圖 three-phase motor, 50Hz handling curve diagram



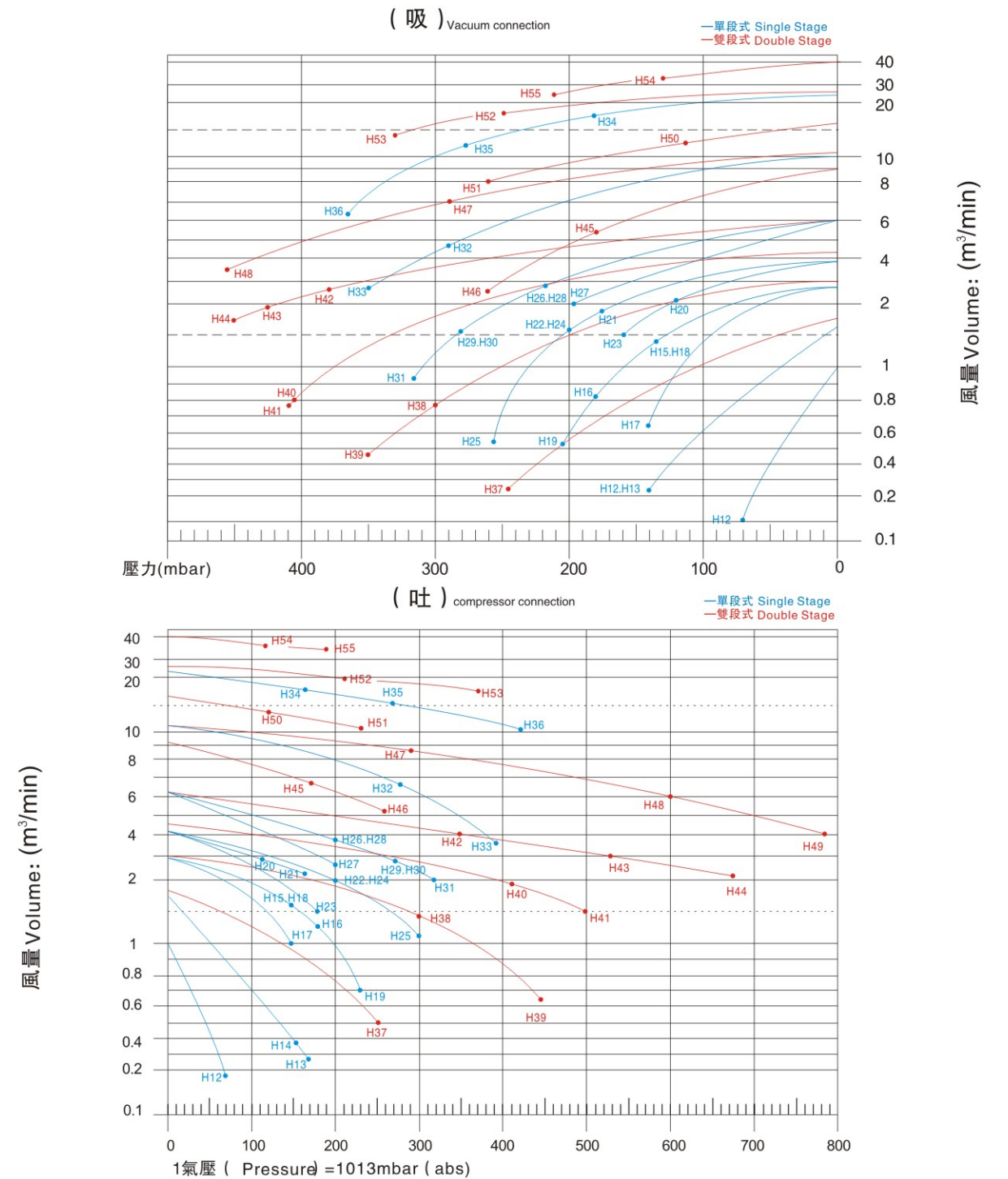
60HZ

三相馬達, 60HZ吸/吐性能表 Three-phase motor, 60Hz handling performance table

編號 Item	型號 Model 60HZ	額定輸出 Rated output (Kw)	電壓 Voltage (V)	電流 Current (A)	電壓 Voltage (V)	電流 Current (A)	吸/吐壓力差 Static pressure Vacuum/Compressor (mbar)	最大流量 Max volume (M ³ /min)	噪音比 Noise (Db)	重量 Weight (kg)	釋壓閥 (Relief Valve) 或吐 (Pressure) 型號(Type): PV-□□□	過濾器 Suction filter
H12	EHS-129	0.2	220-240	0.9	380-480	0.5	70/70	1.0	55	6.5	-	MF8
H13	EHS-229	0.5	220-240	2.4	380-480	1.38	140/170	1.7	61	11	01*1/01*1	MF10
H14	EHS-229L	0.5	220-240	2.4	380-480	1.38	140/150	1.7	61	11.5	01*1/01*1	MF10
H15	EHS-329	0.85	220-240	3.9	380-480	2.25	140/140	2.9	64	14.5	01*1/01*1	MF12
H16	EHS-329-1	1.1	220-240	4.5	380-480	2.6	180/180	2.9	64	15.5	01*1/01*1	MF12
H17	EHS-329-9	0.85	220-240	3.6	380-480	2.1	140/140	2.9	64	14.5	01*1/01*1	MF12
H18	EHS-329L	0.85	220-240	3.9	380-480	2.25	140/140	2.9	64	15	01*1/01*1	MF12
H19	EHS-339	1.5	220-240	5.25	380-480	3	205/230	2.9	64	16	01*1/01*1	MF12
H20	EHS-429-1	1.1	220-240	4.5	380-480	2.6	120/110	4.2	73	20.5	01*1/01*1	MF16
H21	EHS-429-2	1.5	220-240	6	380-480	3.5	170/160	4.2	73	22	01*1/01*1	MF16
H22	EHS-429	1.9	220-240	7.0	380-480	4.0	200/200	4.2	73	23	01*1/01*1	MF16
H23	EHS-429-9	1.9	220-240	7.0	380-480	4.0	160/180	4.2	73	23	01*1/01*1	MF16
H24	EHS-429L	1.9	220-240	7.0	380-480	4.0	200/200	4.2	73	23.5	01*1/01*1	MF16
H25	EHS-439	2.6	220-240	9.5	380-480	5.5	255/300	4.2	73	26	01*1/01*1	MF16
H26	EHS-529	2.6	220-240	10.7	380-480	6.2	220/200	6.2	77	32	01*1/01*1	MF16
H27	EHS-529-9	2.6	220-240	10.7	380-480	6.2	195/200	6.2	77	32	01*1/01*1	MF16
H28	EHS-529L	2.6	220-240	10.7	380-480	6.2	220/200	6.2	77	32.5	01*1/01*1	MF16
H29	EHS-629	3.7	220-240	13.2	380-480	7.6	280/270	6.2	77	35	01*1/01*1	MF16
H30	EHS-629L	3.7	220-240	13.2	380-480	7.6	280/270	6.2	77	35.5	01*1/01*1	MF16
H31	EHS-639	4.6	220-240	15.3	380-480	8.9	315/320	6.2	77	38	02*1/02*1	MF16
H32	EHS-729	6.3	220-240	26.5	380-480	15.3	290/280	10.9	79	78	01*1/01*2	MF20
H33	EHS-829	8.6	220-240	34	380-480	19.6	350/395	10.9	79	82	02*1/02*1	MF20
H34	EHS-919	11	220-240	37	380-480	21.4	180/170	22.4	81	100	-	MF32
H35	EHS-929	15	220-240	51.5	380-480	29.8	280/270	22.4	81	112	-	MF32
H36	EHS-939	22	220-240	76.1	380-480	44	365/420	22.4	81	159	-	MF32
H37	EHS-2308	0.85	220-240	3.6	380-480	2.08	245/245	1.8	66	17	01*1/01*1	MF10
H38	EHS-3319	1.9	220-240	7.0	380-480	4.0	300/300	3.0	69	25	02*1/02*1	MF12
H39	EHS-3326	2.6	220-240	9.5	380-480	5.5	350/435	3.0	69	28	02*1/02*1	MF12
H40	EHS-4337	3.7	220-240	13.2	380-480	7.7	405/415	4.5	77	40	02*1/02*1	MF16
H41	EHS-4346	4.6	220-240	16.2	380-480	9.3	410/500	4.5	77	43	02*1/02*1	MF16
H42	EHS-6346	4.6	220-240	16.2	380-480	9.3	380/350	6.2	79	55	02*1/02*1	MF16
H43	EHS-6355	6.3	220-240	26.5	380-480	15.3	425/530	6.2	79	72	02*1/02*1	MF16
H44	EHS-6375	8.6	220-240	34	380-480	19.6	450/675	6.2	79	80.5	02*1/02*2	MF16
H45	EHS-6455	6.3	220-240	26.5	380-480	15.3	180/170	9.2	79	70	01*1/01*1	MF16
H46	EHS-6475	8.6	220-240	34	380-480	19.6	260/260	9.2	79	80.5	01*1/01*1	MF16
H47	EHS-8310	8.6	220-240	34	380-480	19.6	295/290	10.9	81	112	02*1/02*1	MF20
H48	EHS-8315	15	220-240	51.5	380-480	29.8	455/600	10.9	81	142	02*1/02*3	MF20
H49	EHS-8320	22	220-240	76.1	380-480	44	-/780	10.9	81	160	-/02*3	MF20
H50	EHS-8410	8.6	220-240	34	380-480	19.6	110/110	16.5	81	110	-	MF20
H51	EHS-8415	15	220-240	51.5	380-480	29.8	260/230	16.5	81	140	-	MF20
H52	EHS-9320	15	220-240	51.5	380-480	29.8	250/210	23	80	165	-	MF32
H53	EHS-9325	22	220-240	76.1	380-480	44	330/370	23	80	178	-	MF32
H54	EHS-9420	15	220-240	51.5	380-480	29.8	130/120	40	85	170	-	MF32
H55	EHS-9425	22	220-240	76.1	380-480	44	210/190	40	85	200	-	MF32

60HZ

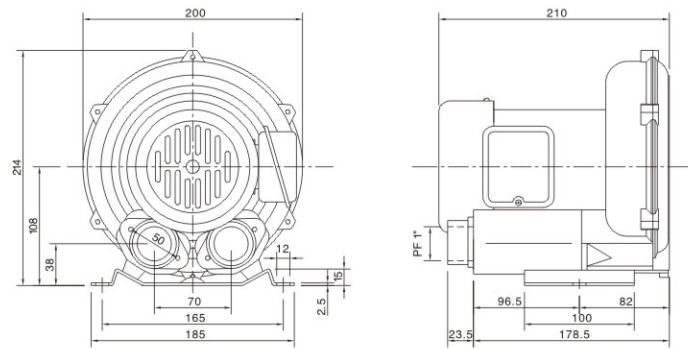
三相馬達, 60HZ吸/吐曲線圖 three-phase motor, 60Hz handling curve diagram



單段安裝尺寸圖

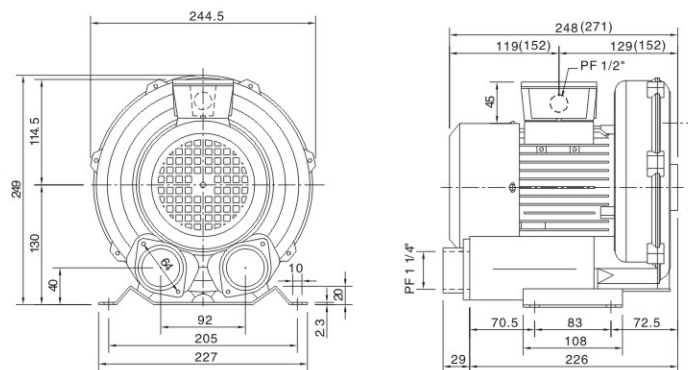
Installation Dimension of Single-stage Blowers

EHS129

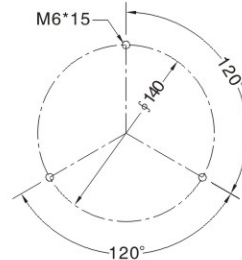


單位 (Unit) : mm

EHS229

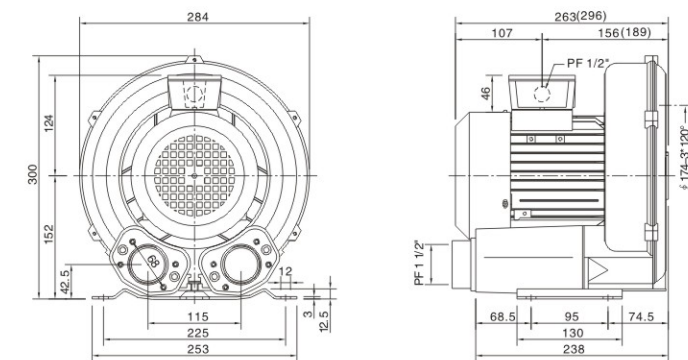


注: 271 (mm)為EHS229L系列的尺寸
152 (mm)為EHS229L系列的尺寸
Note: 271 (mm) is size of EHS229L series.
152 (mm) is size of EHS229L series.

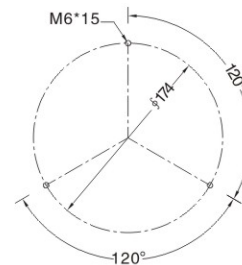


單位 (Unit) : mm

EHS329/S339

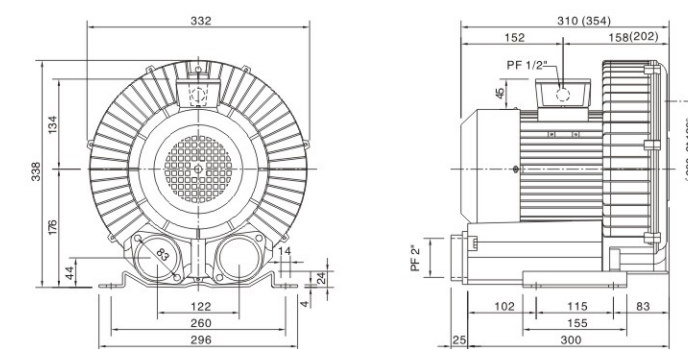


注: 296 (mm)為EHS329L系列的尺寸
189 (mm)為EHS329L系列的尺寸
Note: 296 (mm) is size of EHS329L series.
189 (mm) is size of EHS329L series.

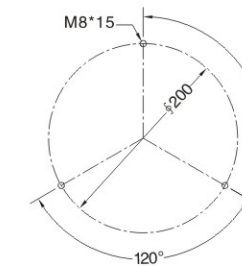


單位 (Unit) : mm

EHS429/S439



注: 354 (mm)為EHS429L系列的尺寸
202 (mm)為EHS429L系列的尺寸
Note: 354 (mm) is size of EHS429L series.
202 (mm) is size of EHS429L series.

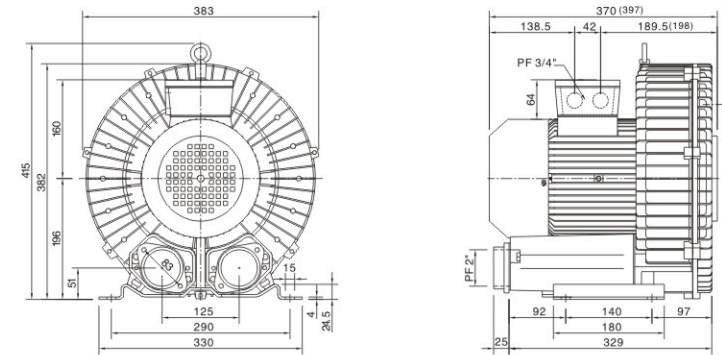


單位 (Unit) : mm

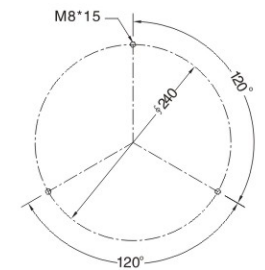
單段安裝尺寸圖

Installation Dimension of Single-stage Blowers

EHS529/629/639

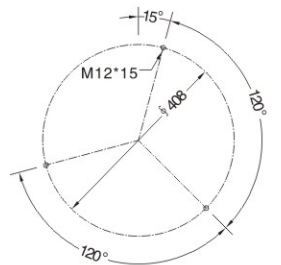
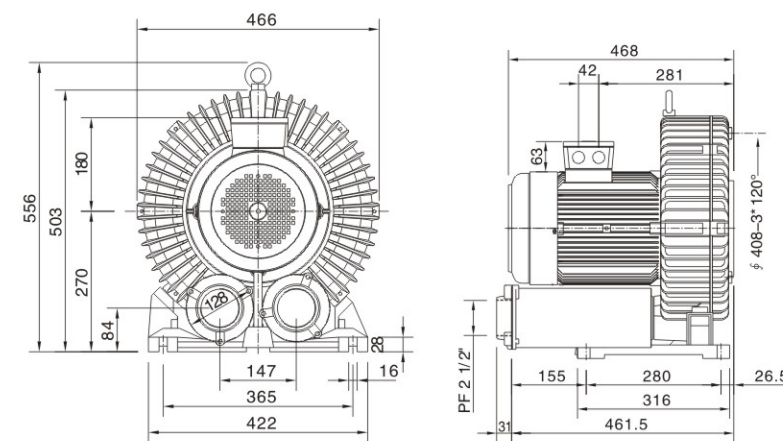


注: 397 (mm)為EHS529系列的尺寸
198 (mm)為EHS529L系列的尺寸
Note: 397 (mm) is size of EHS529 series.
198 (mm) is size of EHS529L series.



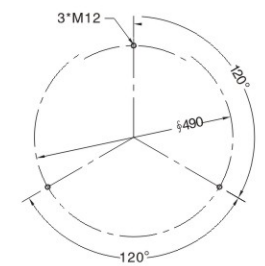
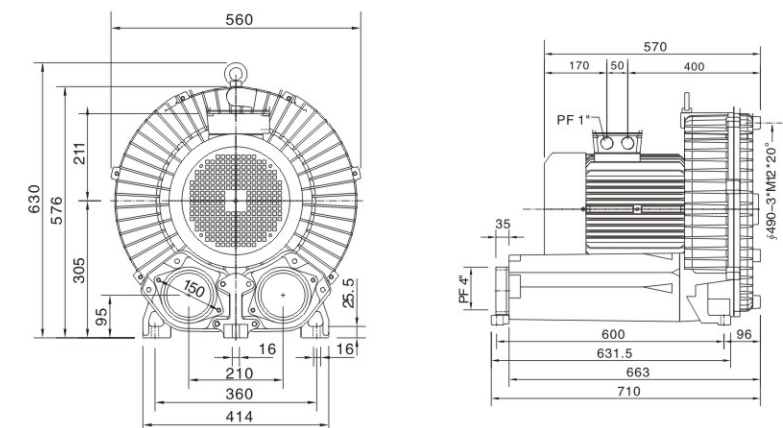
單位 (Unit) : mm

EHS729/829



單位 (Unit) : mm

EHS912/929/939

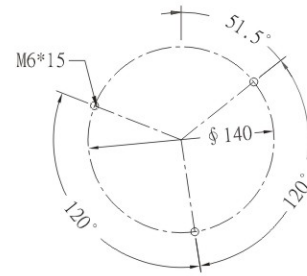
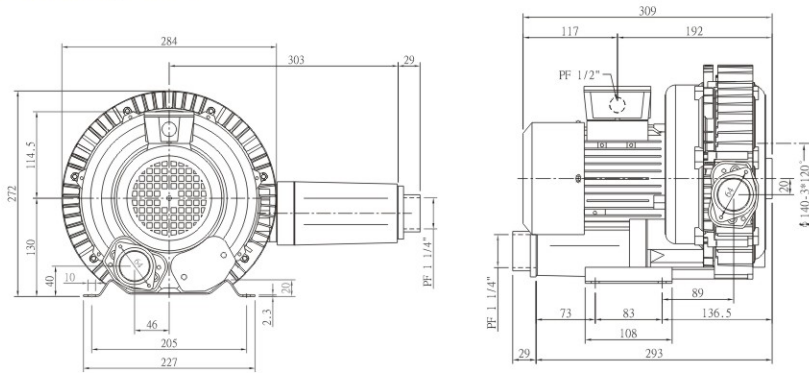


單位 (Unit) : mm

雙段安裝尺寸圖

Installation Dimension of Double-stage Blowers

EHS2308

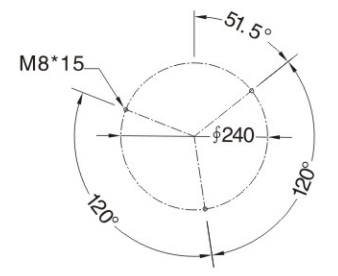
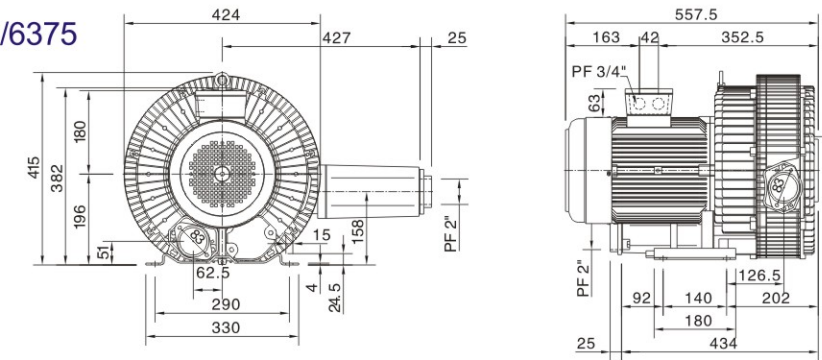


單位 (Unit) : mm

雙段安裝尺寸圖

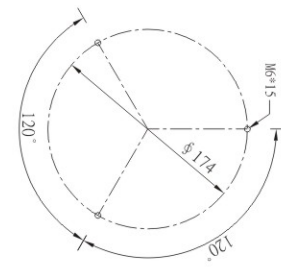
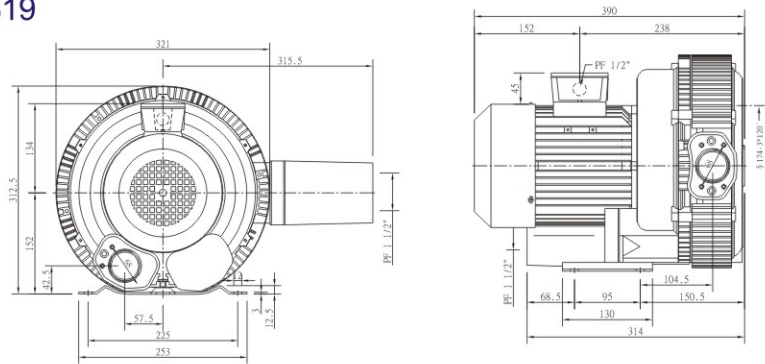
Installation Dimension of Double-stage Blowers

EHS6355/6375



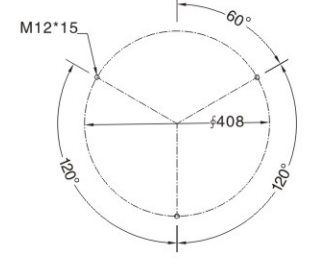
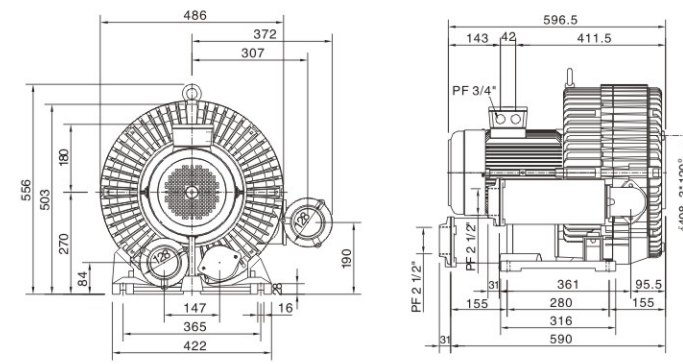
單位 (Unit) : mm

EHS-3326/3319



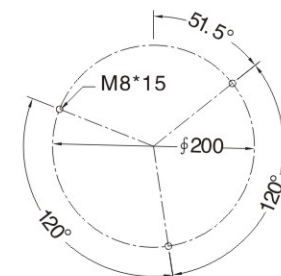
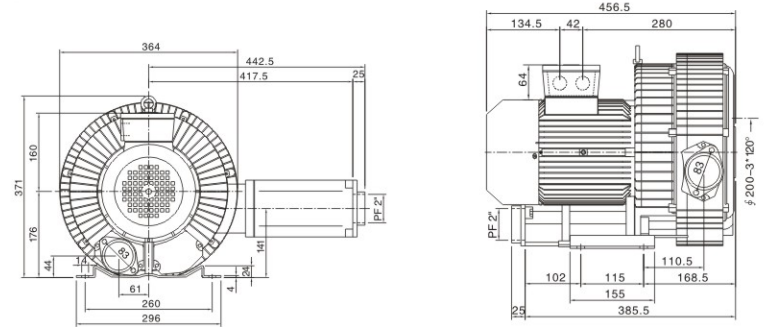
單位 (Unit) : mm

EHS8310



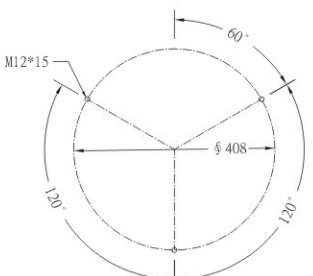
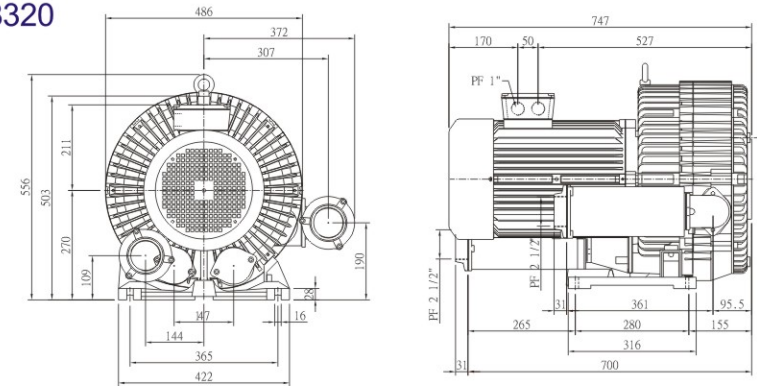
單位 (Unit) : mm

EHS4337/4346



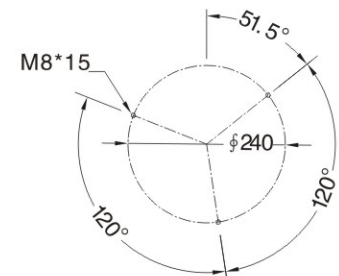
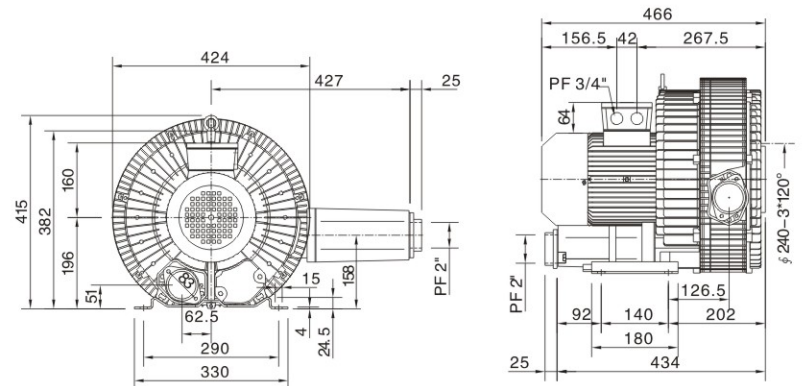
單位 (Unit) : mm

EHS-8315/8320



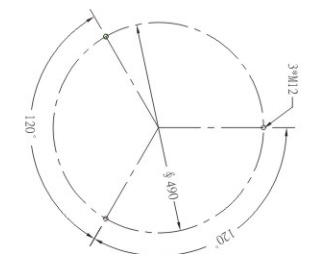
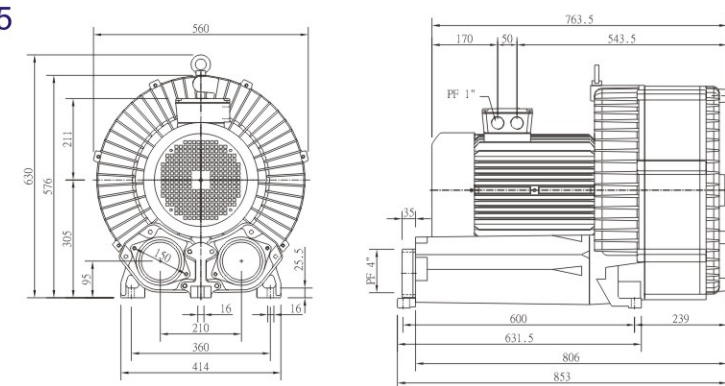
單位 (Unit) : mm

EHS6346



單位 (Unit) : mm

EHS9420/9425

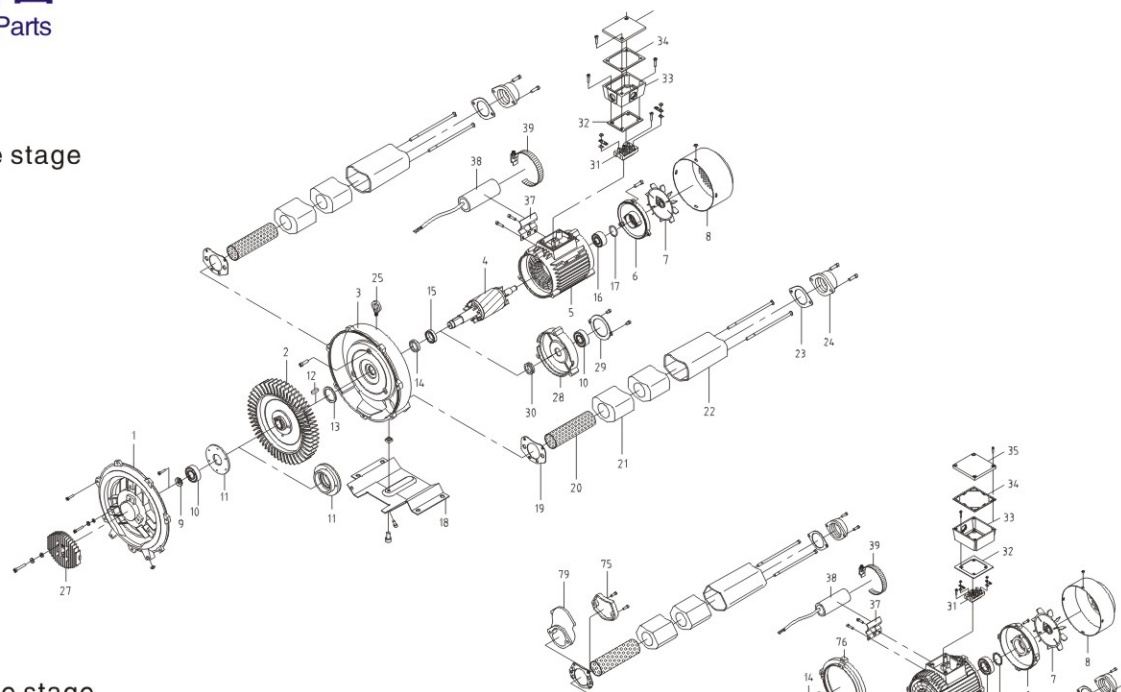


單位 (Unit) : mm

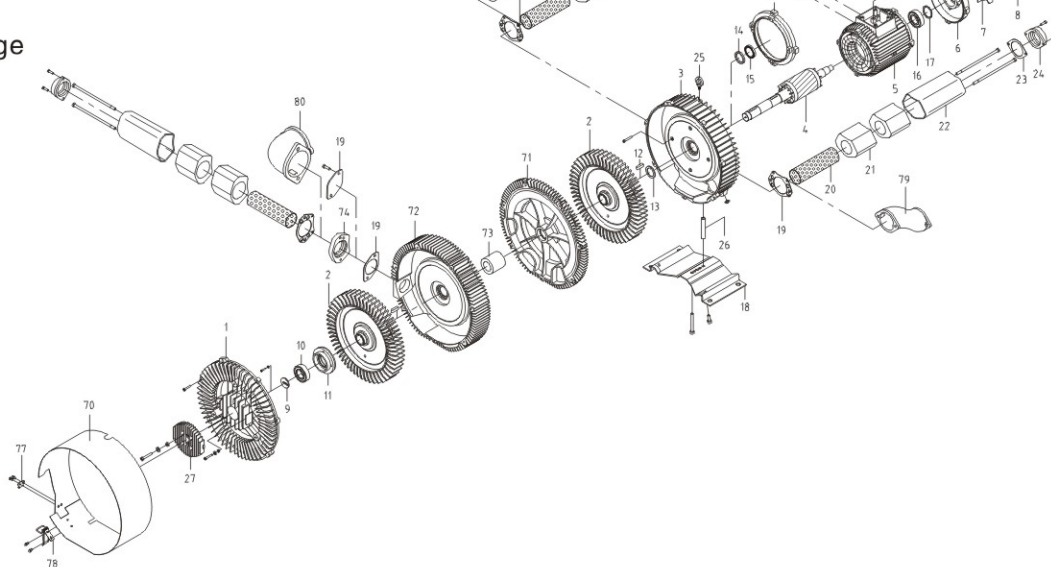
零件分解圖

Analysis of Fig Parts

單段式 Single stage

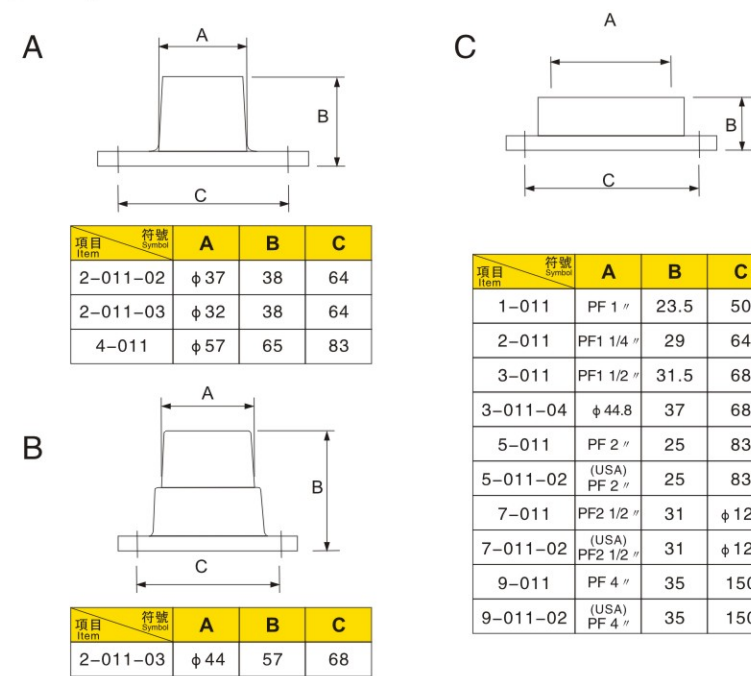


雙段式 Double stage

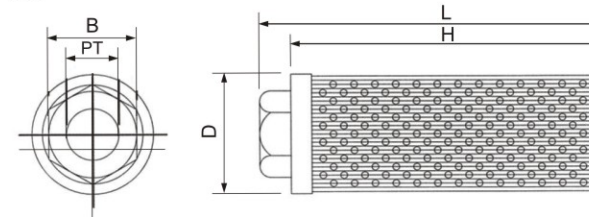


編號 Item	中文名稱 Chinese name	編號 ITEM	中文名稱 Chinese name	編號 ITEM	中文名稱 Chinese name	編號 ITEM	中文名稱 Chinese name
1	風蓋Cover	14	羊毛氈Felted wool	27	前軸承蓋Front bearing cap	71	中風蓋Middle cover
2	風葉Blade	15	油封Oil seal	28	馬達防水蓋Middle motor cover	72	中風桶 Middle bucket
3	風桶Bucket	16	後軸承Back bearing	29	軸承固定片Bearing washer	73	葉片固定套Blade fixing set
4	轉子Rotor	17	波浪墊片Wave washer	30	VA-油封 VA-seal	74	腳管固定座Silencer socket
5	馬達Motor	18	腳座Iron base	31	接綫板Terminal board	75	出口封蓋Outlet cover
6	馬達後蓋Motor rear cover	19	腳管墊片Gasket	32	墊片Gasket	76	馬達中蓋Middle motor cover
7	散熱風扇Radiator fan	20	消音鐵網Noise damping iron	33	接綫盒 Terminal box	77	上箱扣Buckle(up)
8	散熱鐵葉Fan cover	21	消音海綿Noise damping sponge	34	墊片Gasket	78	下箱扣Buckle(down)
9	墊片Gasket	22	消音腳管Silencer housing	35	接綫盒Terminal cover	79	彎管Extend pipe
10	前軸承Bearing stop plate	23	出/入牙口墊片 Gasket	37	電容器固定片Capacitor washer	80	90°彎管 90° extend pipe
11	軸承蓋Bearing seat	24	出/入牙口Inlet/outlet thread	38	電容器Capacitor		
12	單圓鍵Rotor key	25	吊環 Ring	39	白鐵管束Steel clip		
13	墊片Gasket	26	圓管Round pipe	70	外觀鐵片Protection steel skin		

出/入牙口
Input/Output



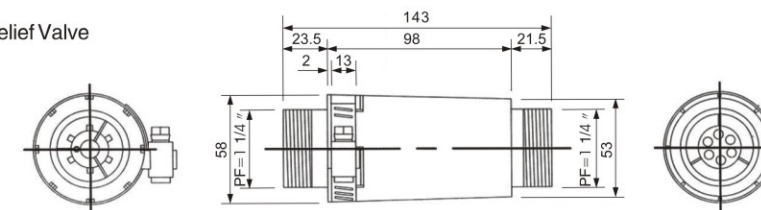
MF 型過濾器
MF Type Suction Filter



項目 Item	符號 Symbol	(PT)	D (mm)	L (mm)	H (mm)	B	過濾精度 Filtration mesh (目)	流量 Flow (L/min)	重量 Weight (KG)
MF-08	1 "		65	158	145	42	100	110	0.18
MF-10	1 1/4 "		65	178	164	50	100	180	0.2
MF-12	1 1/2 "		83	194	180	65	100	216	0.33
MF-16	2 "		102	210	200	75	100	384	0.48
MF-20	2 1/2 "		158	274	252	97	100	750	1.23
MF-32	4 "		208	379	356	142	100	1000	2.45



釋壓閥
Pressure Relief Valve



形式 Type	口徑 (PT)	L (mm)	規格 Dimension
RV-01	1 1/4 "	143	0~3000 mmAq
RV-02	1 1/4 "	143	0~6000 mmAq



中壓鼓風機



用途:

- 印刷機械
- 燃燒機
- 塑料押出機、吹袋機淋膜機
- 制果機械
- 集壓機
- 環境機械
- 熱風發生機
- 粉粒體輸送
- 廚房機械
- 木工機械
- 乾燥機
- 焚化爐
- 恒温箱
- 機械冷却
- 一般送風

特點:

- 高壓 大風量 • 低噪音 • 輕量化
 - 採用鋁合金材質，大幅降低重量，達到輕量化的目的。
 - 馬達為I.E.C設計 (1HP以上)，全閉外扇型鉛框馬達，特殊軸心設計，可適合長時間使用。
 - 特殊葉片設計，壓力高 • 風涼大 • 噪音低 • 壽命長。
 - 特殊風量調節風門，風量控制穩定性高，操作容易 (CX.TB.ETB適用)。
- 樣式種類齊全 • 庫存多 • 交貨速度。

Applications:

- Printing Machines
- Burning Machines
- Plastic Extruder, Laminating, Film Making Machines
- Uniform Temperature Equipment
- Household Machines
- Dust Collectors
- Textile Machines
- Pollution Machines
- Hot Air Blower
- Dryers Machines
- Incinerators
- Machinery for the Food and Beverage Industrise
- Machinery for Cooling
- Woodworking Machines
- Grain elevators

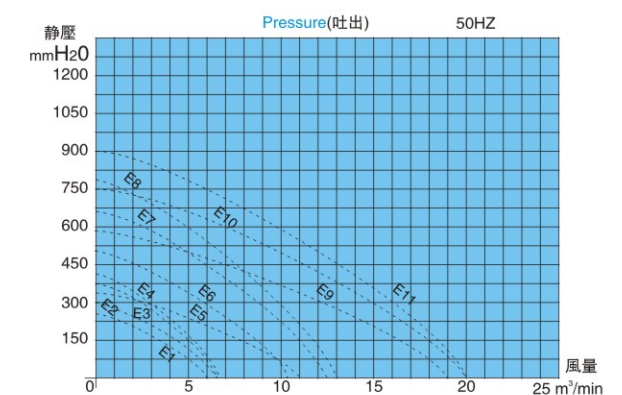
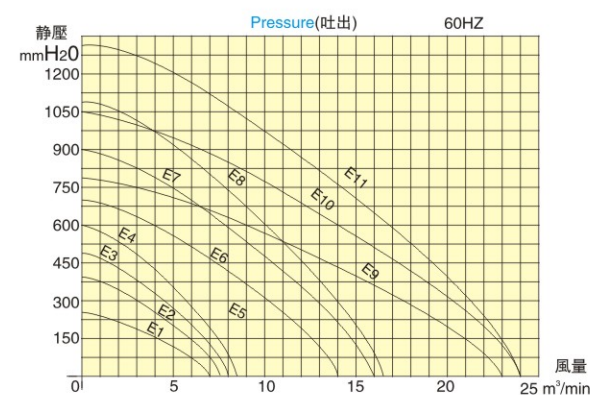
Features:

- High pressure • Larger flow • Light weight
- Aluminum alloy material was wide spread be use, offer light products,
- I.E.C. Designrd motor(1HP UP), Squirrel Cage Induction Motors & specially designated shaft can satisfy long-time-continue operation.
- Professional impeller dseigned, high pressure, larger flow • low noise • and long life.
- Special air-flow-adjust designs offer stable flows and easily control.
- Full range styles and suffciently finished products of each model make quickly delivery be possible.

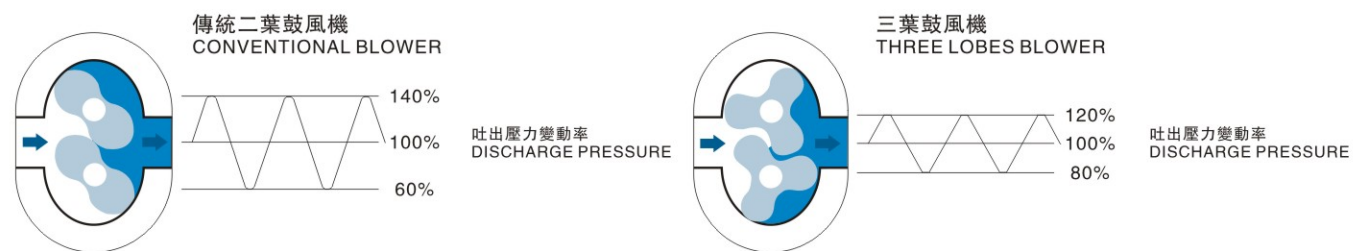
Multi-stage Turbo Blowers

IP54 50HZ 三相 中壓風機 blowers Medium pressure three phase Ac, IP54, 50hz											
編號 Curve NO.	型號 Model	功率 Power (KW)	電壓 Voltage (V)	滿載額定電流 Current (A)	電壓 Voltage (V)	滿載額定電流 Current (A)	最大靜壓 吐出 Pressure(max) (mbar)	最大風量 Air Flow(max) m ³ /min	噪音 Noise Level dB	重量 Weight kgs	出入口徑 In/Out Let
E1	ETB-75-032	0.4	220-240	2.25	380-415	1.29	21	6	53	21	3"
E2	ETB-75-053	0.4	220-240	2.25	380-415	1.29	29	6.5	55	24	3"
E3	ETB-75-104	0.75	220-240	3.7	380-415	2.14	38	6.5	56	26	3"
E4	ETB-75-105	0.75	220-240	3.7	380-415	2.14	42	6.8	56	29	3"
E5	ETB-100-102	0.75	220-240	3.7	380-415	2.14	34	11	60	28	4"
E6	ETB-100-203	1.3	220-240	5.7	380-415	3.3	50	10.4	61	36	4"
E7	ETB-100-304	2.2	220-240	9.7	380-415	5.6	65	12.5	63	45	4"
E8	ETB-100-505	3.4	220-240	12.5	380-415	7.2	79	12.8	64	55	4"
E9	ETB-125-503	3.4	220-240	12.5	380-415	7.2	58	19	70	62	5"
E10	ETB-125-704	5.5	220-240	21	380-415	12	75	20	70	87	5"
E11	ETB-125-1005	7.5	220-240	27	380-415	15.6	90	20	72	109	5"

IP54 60HZ 三相 中壓風機 blowers Medium pressure three phase Ac, IP54, 60hz											
編號 Curve NO.	型號 Model	功率 Power (KW)	電壓 Voltage (V)	滿載額定電流 Current (A)	電壓 Voltage (V)	滿載額定電流 Current (A)	最大靜壓 吐出 Pressure(max) (mbar)	最大風量 Air Flow(max) m ³ /min	噪音 Noise Level dB	重量 Weight kgs	出入口徑 In/Out Let
E1	ETB-75-032	0.5	220-240	2.4	380-415	1.38	26	7	65	21	3"
E2	ETB-75-053	0.5	220-240	2.4	380-415	1.38	38	7.5	68	24	3"
E3	ETB-75-104	0.85	220-240	3.9	380-415	2.25	50	8	70	26	3"
E4	ETB-75-105	0.85	220-240	3.9	380-415	2.25	60	8.5	70	29	3"
E5	ETB-100-102	0.85	220-240	3.9	380-415	2.25	45	13	74	28	4"
E6	ETB-100-203	1.5	220-240	6	380-415	3.5	70	14	76	34	4"
E7	ETB-100-304	2.6	220-240	9.5	380-415	5.5	90	16	78	45	4"
E8	ETB-100-505	3.7	220-240	13.5	380-415	7.8	110	16.5	80	55	4"
E9	ETB-125-503	3.7	220-240	13.5	380-415	7.8	79	23	85	62	5"
E10	ETB-125-704	6.3	220-240	26.5	380-415	15.3	105	24	88	87	5"
E11	ETB-125-1005	8.6	220-240	34	380-415	19.6	130	24	90	109	5"



高品質/低噪音三葉魯氏鼓風機 Three Lobes Reduce Vibration And Noise!



軸承壽命延長

由於葉輪傳運的振動減少，得以延長軸承壽命達20%。

LONGER BEARING LIFE

Less vibration transmitted through the lobe results approximately 20% longer bearing life.

較低的噪音

壓力脈衝是主要的噪音源，三葉式鼓風機能有效地降低噪音達5dB。

LOWER NOISE

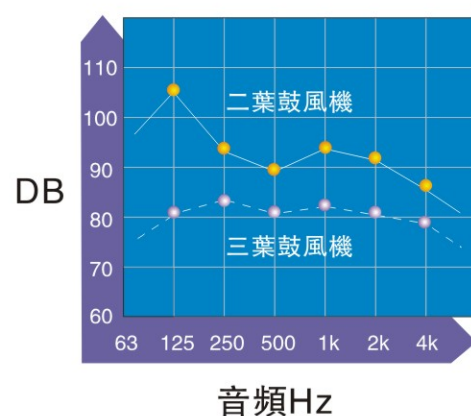
pressure pluses are the major noise source of blower. Three lobes' design can efficiently reduce noise by approximately 5dB.

較低的能源損耗

三葉式的設計能減少逆流對轉子的壓力，相對地也減少能源的損耗。

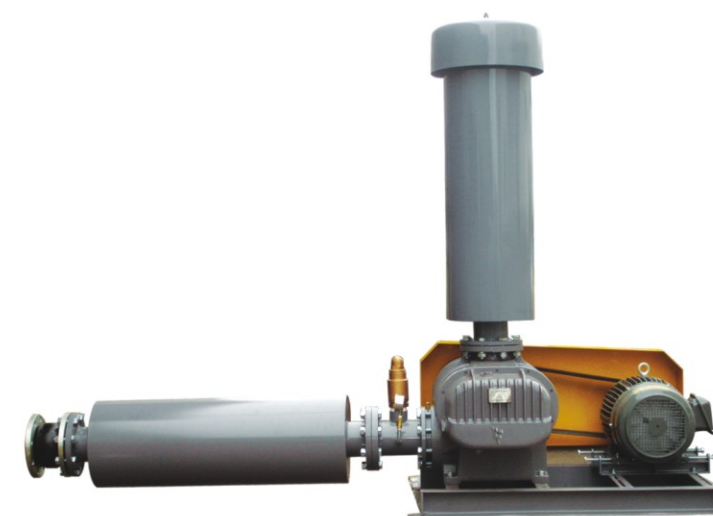
LOWER ENERGY CONSUMPTION

Three lobes' design control backflow pressure to rotor so reduce energy consumption.

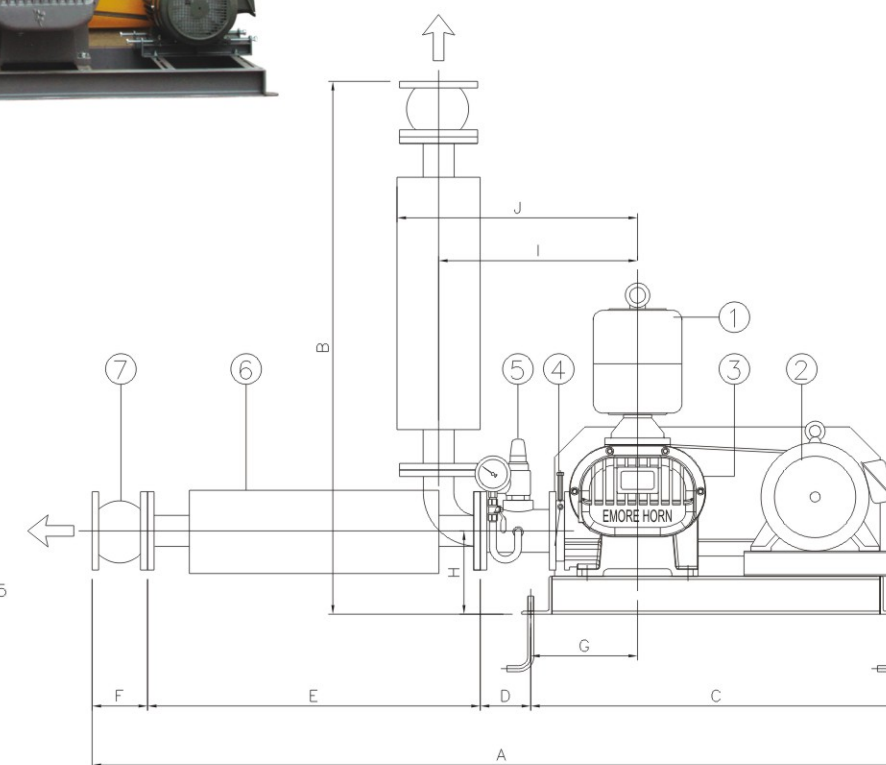
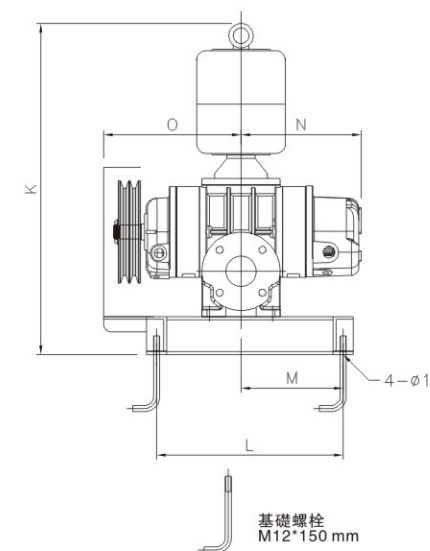


傳統二葉式鼓風機壓力震幅大，造成震動及噪音 縮短軸承、齒輪及其他傳動元件的壽命。

Conventional blowers result pressure pluses and vibration rob power and shorten the life of every bearing, gear and other drive train components.

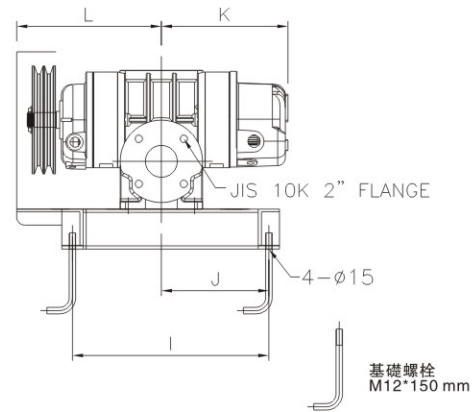


項次 Item	名稱 Name
1	入口消音器 Inlet silencer
2	馬達 Motor
3	魯氏鼓風機 Root blower
4	逆止閥 Non-Return valve
5	安全閥 Relief valve
6	出口消音器 Out let silencer
7	防震接頭 Flexible joint

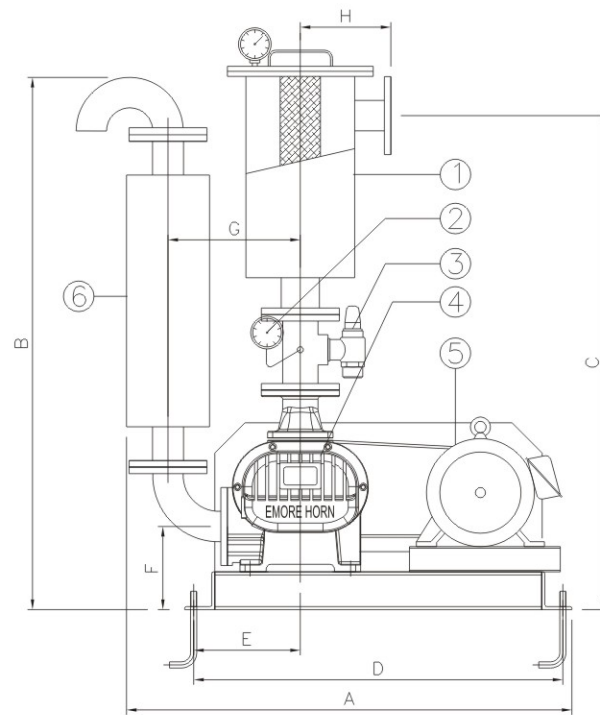


A. 壓送

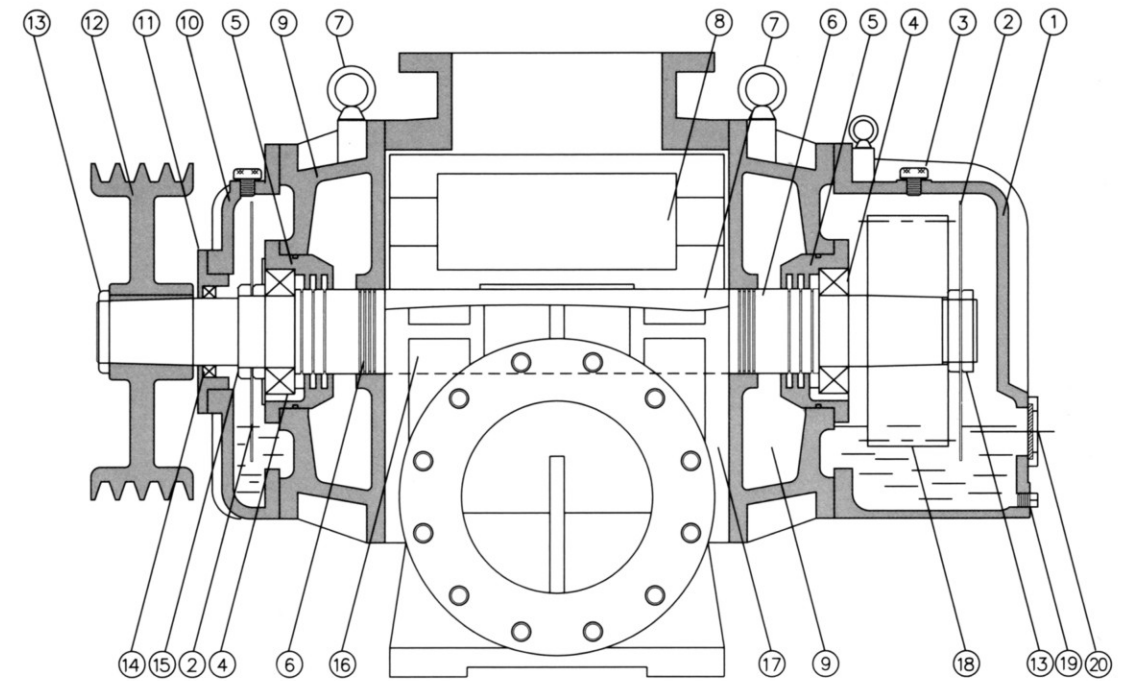
型式 Type	記號 Mark	A	B	C	D	E	F	G	H	I	J	K	L	M	N	O	備註 Remark
LT-40		738	—	400	50	238	—	47	—	—	—	334	350	150	149	180	
LT-50		1623	1056	735	105	660	110	212	165	395	477	656	370	203	239	272	
LT-65		1627	1062	734	100	660	115	212	170	415	498	1115	370	160	279	315	
LT-80		1960	1189	934	118	760	130	257	177	496	604	1270	450	245	315	375	
LT-100		1965	1247	934	118	760	135	257	192	535	669	1295	490	195	365	425	
LT-125		2713	1815	1190	143	1190	170	325	255	668	833	1915	605	325	445	485	
LT-150		2729	1863	1190	149	1190	180	325	255	712	887	1958	605	269	500	541	
LT-200		3688	2592	1100	443	1735	210	200	312	958	1220	2805	790	400	500	510	
LT-250		3746	2717	1100	473	1735	240	200	350	1065	1365	2830	730	305	597	609	
LT-300		4501	2930	1600	691	1735	275	275	450	1434	1784	3315	1120	465	807	865	
LT-350		5226	3559	1800	637	2230	275	300	507	1647	2047	3767	1480	613	1001	1101	



項次 Item	名稱 Name
1	入口消音器 Inlet silencer
2	真空安全閥 Filter Relief valve
3	魯氏鼓風機 Root blower
4	馬達 Motor
5	真空壓力表 Vacuum gauge
6	出口消音器 Out let silencer



構造圖 & 材質表 STRUCTUER & MATERIAL LIST

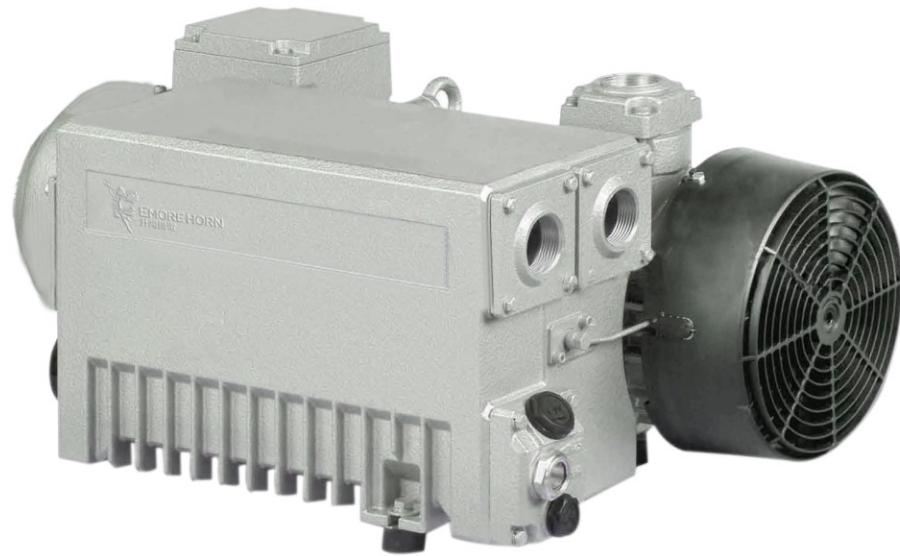


B. 真空

記號mark 型式type	A	B	C	D	E	F	G	H	I	J	K	L	備注 Remark
LTV-40	726	653	520	400	47	82	254	196	350	150	149	180	
LTV-50	886	1057	981	734	212	168	263	180	370	203	239	273	
LTV-65	870	1088	990	734	212	170	246	180	410	160	279	315	
LTV-80	1114	1225	1105	934	257	177	311	224	450	245	315	375	
LTV-100	1180	1329	1120	934	257	192	351	224	450	195	365	420	
LTV-125	1470	1973	1375	1190	325	155	440	295	602	323	445	485	
LTV-150	1568	2003	1375	1190	295	255	478	295	605	269	500	541	
LTV-200	2027	2804	1695	1100	200	312	665	369	730	400	500	510	
LTV-250	2142	3007	1892	1100	200	350	742	369	730	305	596	609	
LTV-300	2778	3297	2275	1600	275	450	903	419	1120	495	791	835	
LTV-350	3081	4026	2482	1800	280	507	1061	515	1400	610	994	1115	

NO.	NAME	MATERIAL	NO.	NAME	MATERIAL
1	Gearcase 齒輪箱	FC25	11	Seal case 油封座	FC25
2	Oil splash 甩油片	SS41	12	Pulley 皮帶輪	FC25
3	Oil plug 加油塞	S45C	13	Nut 螺帽	SS41
4	Bearing 軸承	SUJ2	14	Seal 油封	NBR
5	bearing case 軸承座	FC25	15	Nut 螺帽	SS41
6	Labyrinth seal 軸封	SS41	16	Shaft 主軸	SCM440
7	Eye bolt 吊環	S45C	17	Main casing 主體	FC25
8	Rotor 葉輪	FC25	18	Spur gear 正齒輪	SNCM21
9	Side cover 側蓋	FC25	19	Oil drain 洩油塞	S45C
10	Oil case 油箱	Fc25	20	Oil gauge 油鏡	S45C

高效能德式真空泵 German type vacuum pump



ERV 0025-0100 H

高效能

ERV機型真空度高，在操作壓力為1 mbar 時具有較大的排氣量，因此能效高，更適合應用在工業界，並可長時間連續使用。

高信賴

可靠性佳的旋片式設計，且用標準型馬達直軸帶動，故效率高。並裝有內置式止回閥，可避免停機時，真空泵逆轉，而損壞泵體。

保養易

機型設計簡單，零件更換容易。除定期的保養之外，無需額外的維修工作。

高環保

裝備可靠性高的潤滑油冷卻循環系統，其裝有油霧過濾器可回收油氣，從而使潤滑油可持續循環使用。另外，還具有低噪音低震動的優點。

High Efficiency

Low ultimate pressure and high suction capacities at 1 hPa (mbar) operating pressure are the outstanding new features of the completely revised ERV series. So the proven ERV vacuum pumps can now be used in many more industrial applications and more efficiently when operating continuously.

Reliable

by means of rugged design, the proven rotating vane principle and high quality build standards. Driven by standard motors directly connected to the pump. Suction flange with integrated non-return valve in order to prevent venting of the vacuum system when the pump is shut down.

Easy to service

by means of clearly arranged design with easily accessible service unit. No maintenance requirements other than regular service intervals.

Environmentally friendly

by means of air cooling and internal oil recirculation. Oil separator for clean exhaust air as standard. Low noise and vibration level.

50HZ

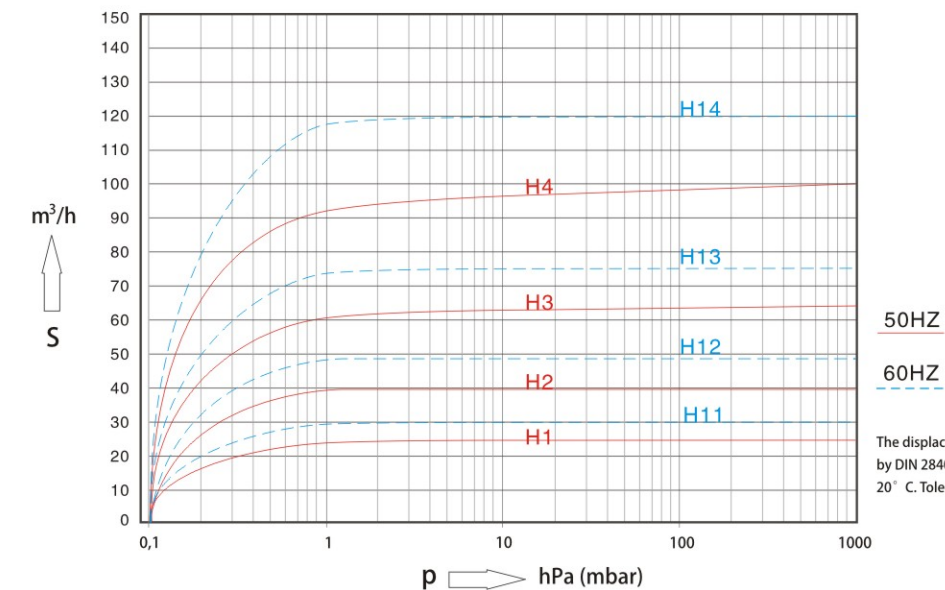
高效能德式真空泵50Hz/German type vacuum pump 50Hz

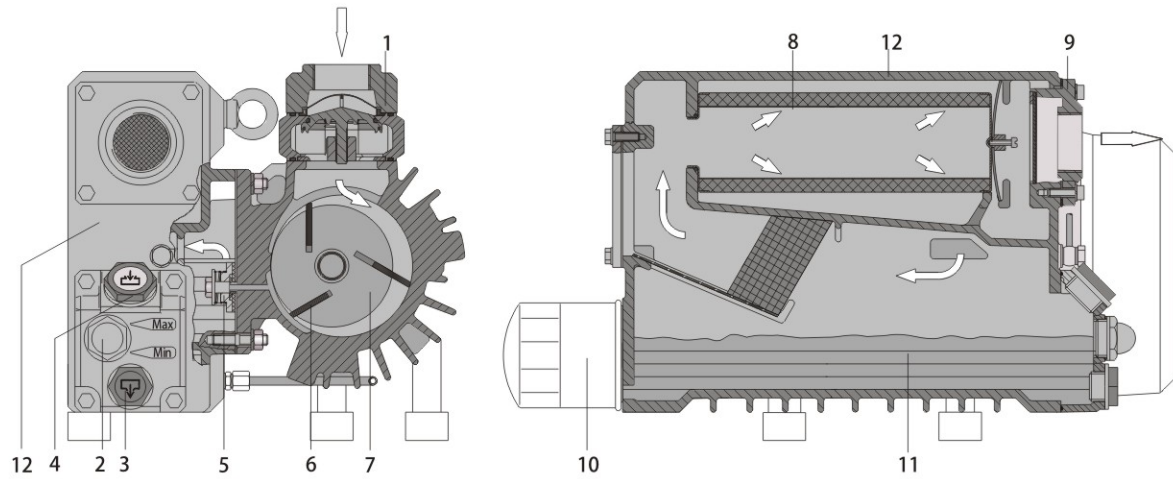
編號 Item	型號 Model 60HZ	額定輸出 Rated output (Kw)	馬達轉速 Motor speed (RPM)	操作溫度 Operation temperature (°C)	最大真空度 Vacuum degree	最大流量 Max volume (M ³ /h)	噪音比 Noise (Db)	重量 Weight (kg)	油量 Oil filling (L)
H1	ERV-25	0.75	1500	80	0.5	25	60	34	1
H2	ERV-40	1.1	1500	82	0.5	40	63	38	1
H3	ERV-60	1.5	1500	84	0.5	63	64	52	2
H4	ERV-100	2.2	1500	84	0.5	100	65	70	2

60HZ

高效能德式真空泵60Hz/German type vacuum pump 60Hz

編號 Item	型號 Model 60HZ	額定輸出 Rated output (Kw)	馬達轉速 Motor speed (RPM)	操作溫度 Operation temperature (°C)	最大真空度 Vacuum degree	最大流量 Max volume (M ³ /h)	噪音比 Noise (Db)	重量 Weight (kg)	油量 Oil filling (L)
H11	ERV-25	1.1	1800	85	0.5	30	63	34	1
H12	ERV-40	1.5	1800	90	0.5	48	66	38	1
H13	ERV-60	2.2	1800	92	0.5	76	66	52	2
H14	EBV-100	3.0	1800	93	0.5	120	68	70	2

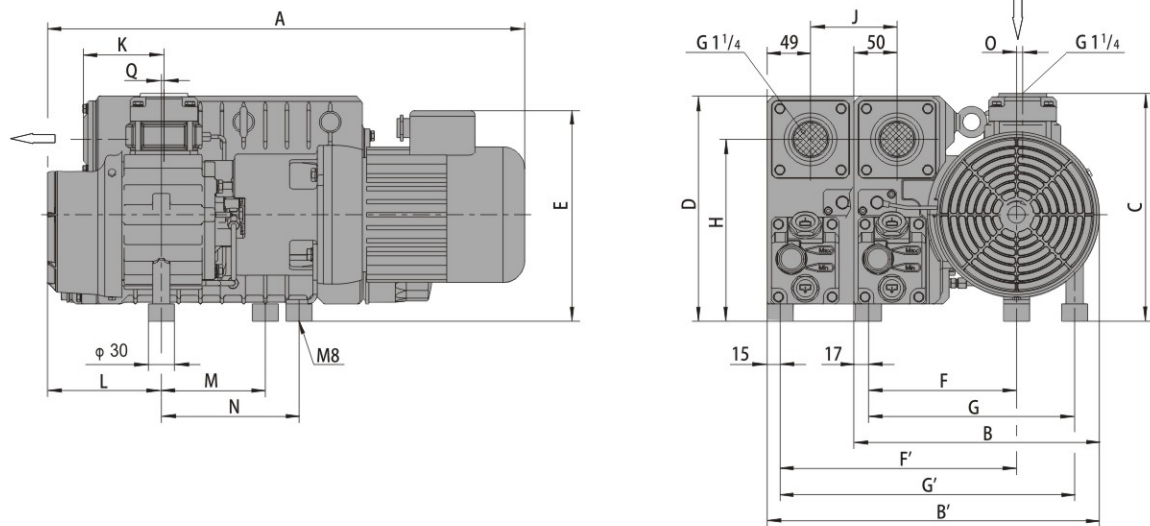




- 1 Inlet flange
- 2 Oil sight glass
- 3 Oil drain plug
- 4 Oil fill plug
- 5 Exhaust valve
- 6 Vane
- 7 Rotor
- 8 Exhaust filter
- 9 Exhaust cover plate
- 10 Oil filter
- 11 Oil sump
- 12 Oil separator

Principle of operation

These pumps work according to the rotary vane principle. An eccentrically installed rotor (7) rotates in the cylinder. The centrifugal force of the rotation pushes the vanes (6), which glide in slots in the rotor, towards the cylinder wall. The vanes separate the sickle-shaped space between rotor and cylinder into chambers. When the chambers are connected with the inlet channel, gas is sucked in, compressed by the next rotation and pushed into the oil separator. Differential pressure constantly causes oil to be passed into the compression chambers. The oil and medium are then discharged into the oil separator (12) and there separated from the exhaust air by gravity and the exhaust filter (8). Oil collects on the bottom of the oil separator and is passed into the compression chamber again (oil recirculation).



尺寸 Dimensions	A	B	B'	C	D	E	F	F'	G	G'	H	J	K	L	M	N	O	Q
ERV-25																		
50 Hz	551	284	-	263	260	243	171	-	238	-	210	-	90	131	120	159	7	0
50/60 Hz	599	284	-	263	260	251	171	-	238	-	210	-	90	131	120	159	7	0
ERV-40																		
50 Hz	613	284	-	263	260	258	171	-	238	-	210	-	87	151	123	179	7	0
50/60 Hz	639	284	-	263	260	251	171	-	238	-	210	-	87	151	123	179	7	0
ERV-60																		
50 Hz	607	-	406	290	280	269	-	277	-	277	231	93	96	137	0	199	0	3
50/60 Hz	640	-	406	290	280	294	-	277	-	277	231	93	96	137	0	199	0	3
ERV-100																		
50 Hz	694	-	406	290	280	282	-	277	-	277	231	93	93	170	0	226	0	0
50/60 Hz	699	-	406	290	280	294	-	277	-	277	231	93	93	170	0	226	0	0

mm/Aq	Kg/cm	MmHg	Inhg	PSIG (lb/in ²)	%真空	Torr	K · pa	Mbar
0	0.	0	0.	0.	0.	760	0.	0
500	0.05	37	1.45	0.71	4.8	723	4.90	49
1000	0.1	74	2.89	1.42	9.7	686	9.81	98
1500	0.15	110	4.34	2.13	14.5	650	14.71	147
2000	0.2	147	5.79	2.84	19.3	613	19.61	196
3000	0.3	221	8.68	4.26	29.0	539	29.42	294
5000	0.5	368	14.47	7.10	48.4	392	49.03	490
10000	1.0	735	28.95	14.20	96.7	25	98.07	981
10336	1.0336	760	29.92	14.68	100	0	101.36	1014

MmH₂O, mmW · g, mmW · C, mmW · S, kg/m³, KP/m³, kg f/m³

m ³ /min	l/min	CFM (ft ³ /min)	in ³ /min
0.	0	0.	0
0.005	5	0.18	305
0.01	10	0.35	610
0.02	20	0.71	1220
0.05	50	1.77	3051
0.1	100	3.53	6102
0.2	200	7.06	12205
0.5	500	17.65	30512
1.0	1000	35.3	61024
2.0	2000	70.6	122047
5.0	5000	176.5	305119
10.0	10000	353	610237

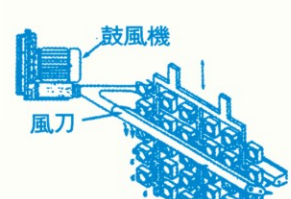
m/sec	km/H	in/sec
0	0.	0.
1	3.6	39.4
2	7.2	78.7
5	18.	196.9
10	36.	393.7
20	72.	787.4
50	180.	1968.5
100	360.	3937.
200	720.	7874.

應用實例送風用
Application Examples of Compressor



畜糞 1.5~1.8m
木屑或稻殼 排出孔
以高壓空氣吹入畜糞槽，增加畜糞與空氣接觸面積。亦適於公害污水處理。

畜糞發酵曝氣



鼓風機
風刀
洗淨後之水分或油氣迅速脫離物品。

洗淨後吹乾



鼓風機
加熱器
風刀
溫風
使印色快速乾燥。

印刷強制乾燥



鼓風機
灰塵
水珠
印刷電路板
電子業電路基板可利用送風機來吹除微小灰塵及水滴。

乾燥用氣刀

應用實例吸風用
Application Examples of Vacuum



切刀
支持棒
鼓風機
本
切斷時之書本吸著保持。

製書本機



泵
滾輪
刀
泥乾
濾布
氣水分離氣
紙漿脫水，污泥脫水，布匹脫水等。

真空脫水




紗
鼓風機
脫水孔
吸除水分及固定綫頭，提高產品的品質及效率。

織布機吸絲



彎曲底片靠板
暗室
鼓風機
利用真空吸力來保持底片，使之平坦，適合照相製版工業。

照相製版



刀紙
紙
空氣
球
鼓風機
增加浮力，容易移動

裁紙機氣墊



鼓風機
高壓空氣
燃料
高風壓 (2,000mmAq) 及足夠的風量，將減輕您對空氣壓縮機的依賴。

瓦斯重油噴燃



鼓風機
風刀
讓散出之煙氣迅速排出，以免造成污染。

煙氣吹吸



鼓風機
電解槽
利用空氣來攪動電解槽，使電解質流通，并把附著水泡驅開令電鍍迅速，效果均勻。(出口孔以4mm為佳)

電解液攪拌



鼓風機
筒
濾網
二次空氣
粉粒體
粒狀物體，如塑膠原料等，可利用氣壓(吹)或真空吸力來完成輸送任務。

粉粒體輸送



鼓風機
滾筒
吸著滾筒
真空吸著印刷或紙巾成形移送。

印刷吸著



鼓風機
濾網
集塵箱
工廠中經常有廢屑殘留機臺上，可以上圖方式清潔之。

工業吸塵



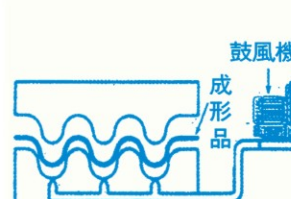
布
鼓風機
過濾器
吸風口
殘布
布匹切斷之處理。

殘布處理



水珠
空瓶
鼓風機
飲料空瓶水洗後將水滴吹乾，適用於食品業。

洗瓶機吹乾



鼓風機
成形品
便利取出衝壓後之成形品。

衝床機



鼓風機
洗車機洗後之水分吹乾。

洗車吹乾



鼓風機
風刀
空氣
鼓風機
空氣的助燃與廢氣之排出。

焚化爐



鼓風機
印刷物
利用吸著壓力固定，以利印刷作業。

網版印刷機吸著



油壓器
布
鼓風機
蒸氣
燙布時將其蒸氣吸出排放用。

燙布機



鼓風機
牛乳盒
牛乳盒充填之真空吸引利用。

牛乳紙盒充填機



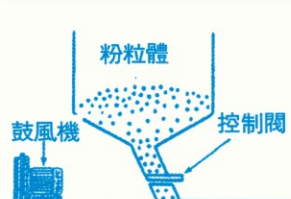
鼓風機
吸引大豆輸送，至洗淨槽洗淨使用。

豆腐機械




診察
出納
藥局
鼓風機
以空氣為動力輸送文件既快速又確實。

傳票輸送



粉粒體
鼓風機
控制閥
噴射頭
壓縮空氣
粉體粒體等之原料的空氣傳送。

粉粒體輸送



切刀
滾輪
鼓風機
塑膠、布、紙等裁邊後廢屑自動收集。

紙布條吹送



鼓風機
加工
加工臺
鼓風機
池
氧氣
水中之氧氣補給用。

養殖池氧氣補給



加工
加工臺
鼓風機
木板塑膠等非磁性物體之固定用。

加工物保持



鼓風機
吸氣
隧道
隧道與狹小工事現場產生粉塵有毒瓦斯之局部除去。

工事現場



鼓風機
濾清器
過濾器
排氣管
焊條
焊接時產生之煙氣和塵埃，可以真空方式排到他處，保障操作員健康。

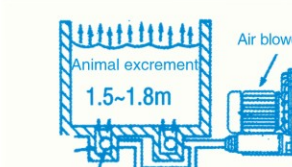
焊接廢氣吸取



鼓風機
瓦斯
桶
過濾器
使用于瓦斯分解裝置的吸引。

瓦斯分解

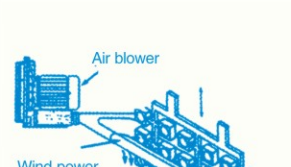
應用實例送風用
Application Examples of Compressor



Animal excrement
1.5~1.8m
Chip or rice husk
Exhaust hole
Air blower

It blows to the animal excrement tank by the high pressure air. It increases the contact area between air and animal excrement. It is also applicable for disposing the nuisance sewage.


Animal excrement fermentation SBR



Air blower
Wind power

Water, oil, or gas rapidly is separated from the objects after the cleaning

Drying after cleaning



Air blower
Heater
Warm air

It quickly dries the printed color.

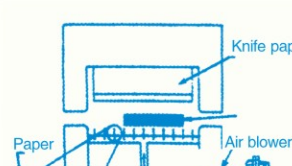
Printed forced drying



Air blower
Dust
Water bead
Printed circuit board

The electronic circuit board can utilize the blower to get rid of the tiny dust and water drops.

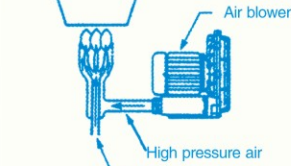
Drying purpose air knife



Knife paper
Paper
Air blower
Air
Ball

It increases the floating force and is easy to move.

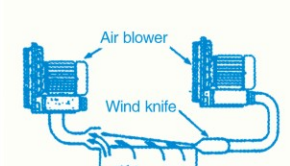
Paper cutter air cushion



Air blower
High pressure air
Fuel

High wind pressure (2,000mmAq) and the enough blast will reduce your reliance to the air compressor.

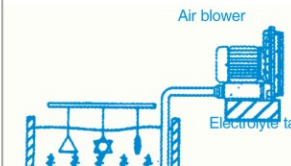
Gas creosote combustor



Air blower
Wind knife

It rapidly exhausts the fume in order to prevent from pollution.

Fume blowing and sucking



Air blower
Electrolyte tank

It utilizes air to agitate the electrolyte, dispels the attached bubble, quickens the electroplating with the even effect. (Better 4mm exit hole)

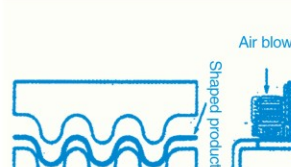
Electrolyte agitation



Water bead
Empty bottle
Air blower

It water washes the empty drink bottle and dries the water drops. It is fit for the food industry.

Bottle cleaner drying



Air blower
Shaped products

It is easy to take out the punched parts to produce the final products.


Punch machine



Air blower

After cleaning the car, it will also dry it.

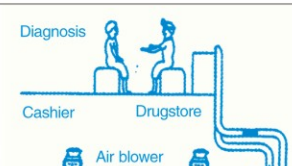
Car cleaning and drying



Wind knife
Air
Air blower

Air combustion and waste gas exhaust

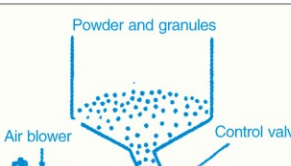
Incinerator



Diagnosis
Casher
Drugstore
Air blower

It uses air as the motive power to transmit the files with the fine speed and reliability.

Summons conveyance



Powder and granules
Air blower
Control valve
Compressed air
Jet head

Air transmission of powder, granular materials and so on

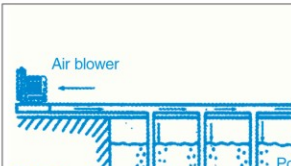
Powder and granule conveyance



Cutting knife
Roller
Air blower

It automatically collects the scraps after cutting the plastic, cloth, paper etc.

Paper and cloth delivery

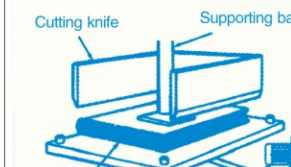


Air blower
Oxygen
Pool

Oxygen supply in the water

Aquatic pool oxygen supply

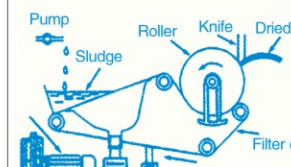
應用實例吸風用
Application Examples of Vacuum



Cutting knife
Supporting bar
Book
Air blower

Book suction and suction in cutting

Book maker



Pump
Sludge
Roller
Knife
Dried mud
Filter cloth
Gas / water separation

Pulp, sludge, cloth dewatering and so on

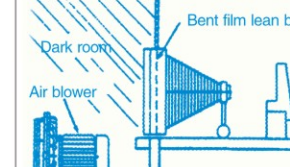
Vacuum dewatering



Yarn
Air blower
Dewatering hole

It sucks water and fixed thread, lifts up the product quality and efficiency.

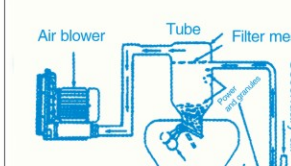
Loom thread suction



Dark room
Bent film lean board
Air blower

It keeps the film by utilizing the vacuum suction to smooth it. It is fit for the photoplate making industry.

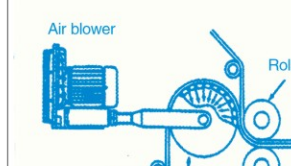
Photoplate making



Air blower
Tube
Filter mesh
Secondary air

The particle objects such as the plastic, rubber raw materials etc. can finish the conveying tasks by utilizing gas (blowing) or vacuum suction.

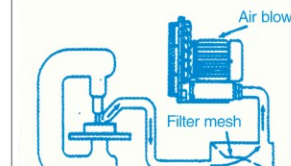
Powder and granule conveyance



Air blower
Roller
Suction roller

Vacuum suction printing or tissue forming, shifting

Printed suction



Air blower
Filter mesh
Dust-collection box

It often has the scrap residue in the factory machines. You can clean them by the above methods.

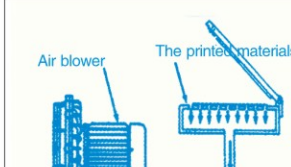
Industrial dust collection



Air blower
Cloth
Filter
Cut-off
Air suction
Residue cloth

Cloth cut-off disposal

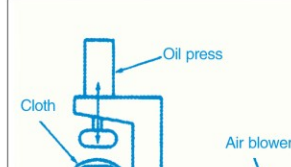
Residue cloth disposal



Air blower
The printed materials

Utilize adhesive pressure to fixup, so as to develop printing task


Screen board printer suction



Oil press
Cloth
Air blower
Steam

In ironing the cloth, it sucks and exhausts the steam.


Cloth iron



Air blower

Vacuum suction and utilization of milk box filling

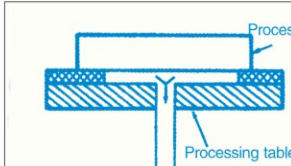
Milk paper box filler



Air blower

It sucks the bean conveyance until it cleans the tank for use.


Tofu machinery



Processing
Processing table
Air blower

Fix the non-magnetic objects such as wood board, plastic cement etc.

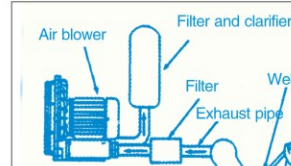
Processed materials suction



Air suction
Tunnel
Air blower

It partially removes the toxic gas and dust in the tunnel and narrow construction site.

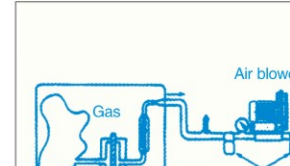
Construction site



Air blower
Filter and clarifier
Filter
Exhaust pipe
Welder

It can use the vacuum suction to remove the smoke, dust etc. in the welding part in order to ensure the good health of the operators.

It sucks the welding waste gas.



Air blower
Filter
Barrel

It is used to suck the gas disintegration device.

Gas disintegration



ISO9001:2000



我們總是根據市場需求的不斷變化，及時更新我們的產品以使我們的產品領先市場。目前，我們的產品遠銷至世界五大洲的18個國家。并贏得了客戶的高度認可。展望未來，我們信心百倍，將以更加奮發有為的精神，在瞬息萬變的市場大潮中激流勇進，開拓出更加輝煌燦爛的明天！

We update our products in time according to the changing market demand in order to make our products leading the market. Nowadays, our products are exported to 18 countries distributed over five continents and win high recognition from them. Looking to the future, we are confident and will take more effort on our products. We will try to develop more brilliant tomorrow in the fast-changing market.